

APS15 SERIES ALL-PURPOSE SEEDERS

HP REQUIRED
25-130 HP

HITCH
Cat. 1



SEEDERS

The seeder that does it all.

The APS15 is at home in freshly prepared soil or overseeding existing turf. The front spike rollers break up the soil crust or penetrate the thatch to disturb the right amount of soil. The seed is dropped, protected from the wind by a shield, allowing it to drop to the ground where it is gently pressed into the soil by the notched or spiked rear roller. The initial seed-to-soil contact is essential to achieving a high germination rate.

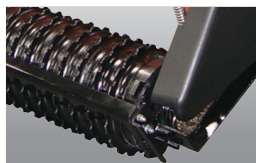
The All-Purpose Seeder is ground driven with no driveline and related drivetrain components to maintain. By adjusting the front two rollers, you can control how aggressive you want to be in the area you are seeding or overseeding.

The many uses for the APS:

- Bare dirt seeding
- Turf overseeding
- Wildlife Conservation Seeding



Optional small seeds box.



Choose between a rear spiked roller or a 12" cast packer wheel roller.

	APS1548	APS1560	APS1572
Horsepower	25-130 HP		
Hitch	Cat. 1		
Working Width (cm)	50" (127)	60" (152)	72" (183)
Overall Width	60"	72"	81"
Overall Length	49"	51"	52"
Overall Height	42-1/2"		
Weight - lb (kg)	547 (248)	702 (318)	836 (379)
Seedbox Capacity	4	5	6
Output Range	Varies By Seed Variety; Consult Manual		
Front Roller - 2	8" Diameter, 1" Spindles w/Greaseable Ball Bearings		
Rear Roller	8" Diameter w/Studs or 12" Cast Packer Wheels		
Chain	#40 with Spring Loaded Idler		
Seed Cups	7	8	10
Front Roller Angling	Up to 20°		
Roller Studs	1/2" to 2" Heat Treated Steel, Replaceable		
Transport Lights	Standard		
Color			

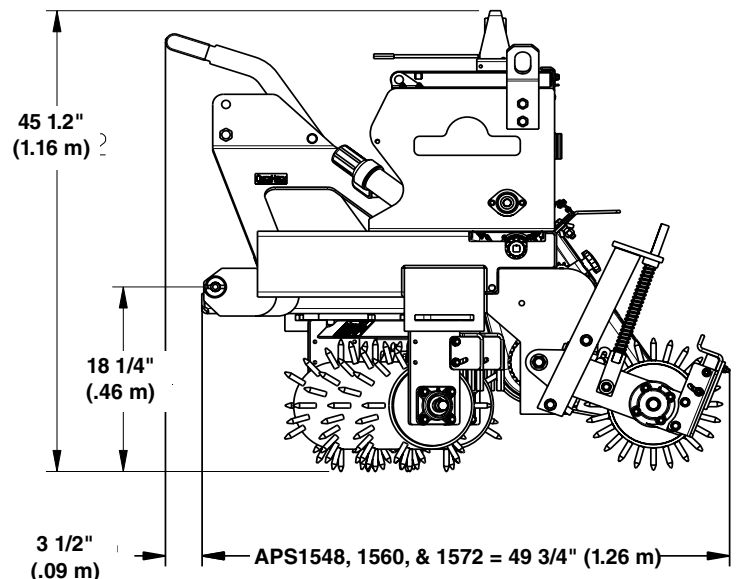
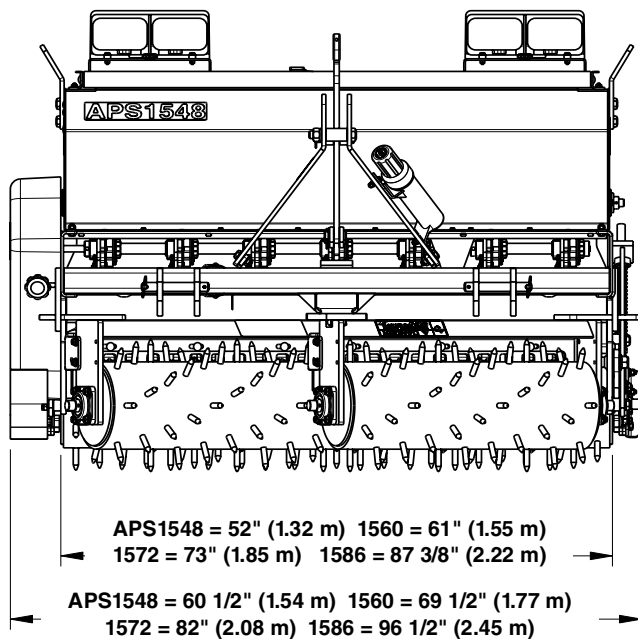
*60" and 86" models with rear cast packer wheels



*See dealer for complete warranty information.

APS1548, APS1560 & APS1572

Specifications & Capacities			
Model Nos.	APS1548	APS1560	APS1572
Overall Width	61 3/8" (1.56 m)	73 3/8" (1.86 m)	85 3/8" (2.17 m)
Seeding Width (Broadcast)	52" (1.32 m)	61" (1.55 m)	73" (1.85 m)
Weight (Approximate Pounds)	700 lb (317.5 kg)	884 lb (401 kg)	1046 lb (474.5 kg)
Hitch APS1548, APS1560 & APS1572 APS1586	Category I Formed A-frame plates; Fits Land Pride Quick Hitch Category I & II Formed A-frame plates; Fits Land Pride Quick Hitch		
Seed Capacity	1 Bushel (35.2 liters) per Foot (30.5 cm) of seedbox		
	4 bu. (141 L)	5 bu. (176.2 L)	6 bu. (211.4 L)
Number of Seed Cups	7	8	10
Seed Cup Type	Fluted for accurate metering		
Seed Cup Door	Four position door for different seed sizes and complete clean out of seed cup		
Seed Drop	Wind Guarded		
Seed Box	Water tight with paddle type agitating above seed cups		
Seed Box Lid	Heavy duty lid with seed splash guard		
Seed Cup Settings	Wide range of calibration settings: Weight per acre, per 1000 square feet, per hectare, and per 1000 meters.		
Seed Cup Drive	Metering rear roller ground drive with spring loaded #40 roller chain, high/low speed change sprocket, spring tensioned idler & seed drive shut-off pin		
Front Rollers	Two 8" (20.3 cm) Diameter spiked rollers capable of angling from 0 to 20 degrees each and mounted on 1" sealed greasable bearings		
Rear Roller Option	Straight 8" (20.3 cm) diameter spiked roller Straight 11 9/16" (39.4 cm) diameter cast notched packer rings		
Rear Roller Mounting	Spring loaded mounted on 1" (2.5 cm) sealed greasable bearings		
Roller Spike Size	1 1/2" (3.8 cm) x 1/2" (13 mm)		
Mud Scrapers Option	Bolt on mud scrapers for front and rear spiked rollers. Bolt on mud scrapers for front spiked rollers & rear packer roller.		



35032