

RB05/15/16 SERIES REAR BLADES

HP REQUIRED
17-40 HP

HITCH
Cat. 1

DIRTWORKING



Ideal for light duty maintenance and landscaping.

Land Pride's economical RB05, RB15, and RB16 Series Rear Blades are an excellent and economical choice for leveling, grading, finishing, and backfilling. They are the perfect companion for your subcompact or compact tractor.

The multitude of forward and reverse working angles, moldboard offset capability, as well as tilt on the RB16, allows the operator to work right up next to retaining walls, abutments, and raised curbing. They are excellent for snow removal in the pulling or push blade mode. A retractable parking stand is included to accommodate easier blade removal, storage and remount capabilities.

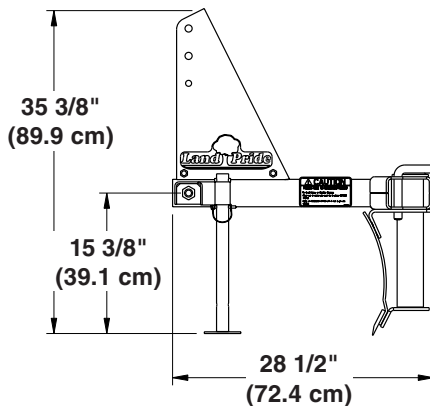
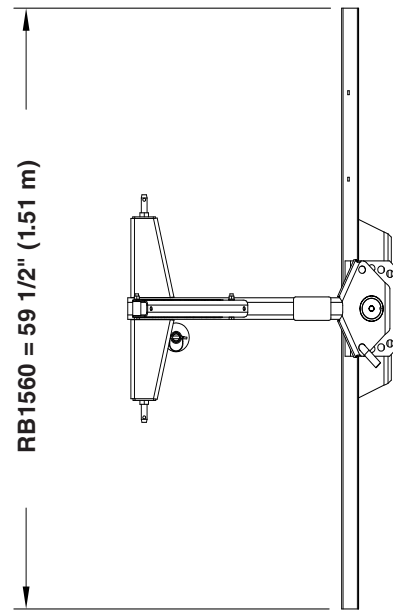
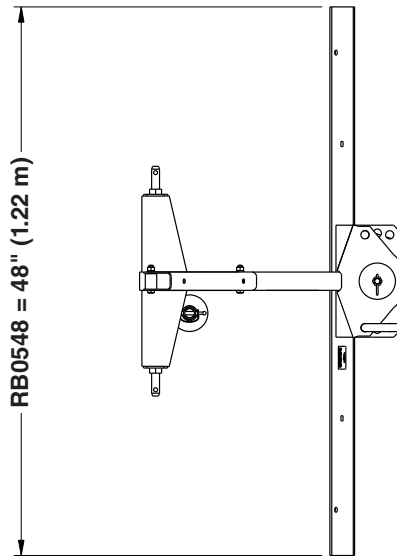


	RB0548	RB1560	RB1672
Horsepower	17-25 HP	17-40 HP	20-40 HP
Hitch	Cat. 1	Cat. 1	Cat. 1
Working Width (cm)	48" (122)	60" (152)	72" (183)
Approx. Weight - lb (kg)	128 (58)	248 (112)	297 (134)
Angling	5 Fwd / 5 Rev Up to 30° Right or Left	7 Fwd Up to 45°; 5 Rev Up to 30°	7 Fwd Up to 45°; 3 Rev Up to 30°
Tilt	N/A	N/A	5 Positions; Up to 15° Left or Right
Offset	10" Left or Right	12" Left or Right	12" Left or Right
Moldboard Height	13-1/2"	14"	14"
Moldboard Thickness	1/4"	1/4"	1/4"
Cutting Edge	3/8" x 3", Replaceable, Heat Treated	1/2" x 6"; Reversible & Replaceable, Heat Treated	1/2" x 6", Reversible & Replaceable; Heat Treated
Options	N/A	Skid Shoes	Skid Shoes, Hydraulic Angling
Colors			



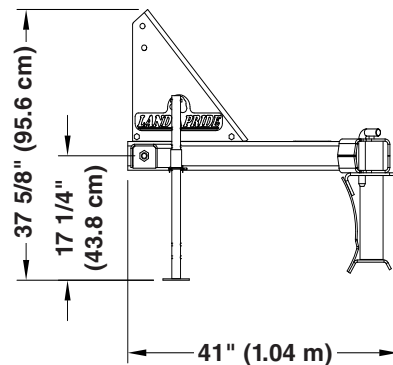
RB05 & RB15 Series

List	Specifications & Capacities	
Model Numbers	RB0548	RB1560
Blade width	48" (1.22 m)	60" (1.52 m)
Approximate weight	128 lbs (58.1 kg)	248 lbs (112.5 kg)
Horsepower rating	17-25 hp (12.7-18.6 kw)	17-40 (12.7-29.8 kw)
Hitch type	Cat. 1 (Fits Land Pride Quick Hitch)	Cat. 1 (Fits Land Pride Quick Hitch)
Blade angle	5 Forward up to 30° 5 Reverse up to 30° Clockwise & Counterclockwise	7 Forward up to 45° 5 Reverse up to 30° Clockwise & Counterclockwise
Blade offset	10" (25.4 cm) left or right	12" (30.5 cm) left or right
Moldboard height	13 1/2" (34.3 cm)	14" (35.6 cm)
Moldboard thickness	1/4" (6 mm)	1/4" (6 mm)
Cutting edge	3/8" x 3" (1.0 cm x 7.6 cm) Heat treated Bolt-On Flat blade (Single bevel)	1/2" x 6" (1.3 cm x 15.2 cm) Heat treated Replaceable & Reversible (Double bevel)
Parking stand	Retractable	Retractable
Accessories	Landscape Rake Adaptable	Skid Shoes & Landscape Rake Adaptable



RB05 Series

26805



RB15 Series

27514

RB26/37 SERIES REAR BLADES

HP REQUIRED
25-80 HP

HITCH
Cat. 1 & 2



DIRTWORKING

Everyday blades; dirt, snow, farm, landscape – About as versatile as it gets!

The Land Pride RB26 and RB37 Series Rear Blades offer 3-way positioning (blade angle, blade tilt, and blade offset) and are an excellent choice for leveling, grading, or backfilling. They excel in snow removal in either the pulling or push blade mode. Their offset and tilt capability make them an excellent choice for construction and maintenance of drainage ditches, waterways, soil contours, and for maintaining silage pit operations. Optional hydraulic angling kits are available for both models.



A parking stand allows the front of the hitch to be off the ground when storing, and offers easier hook-up.



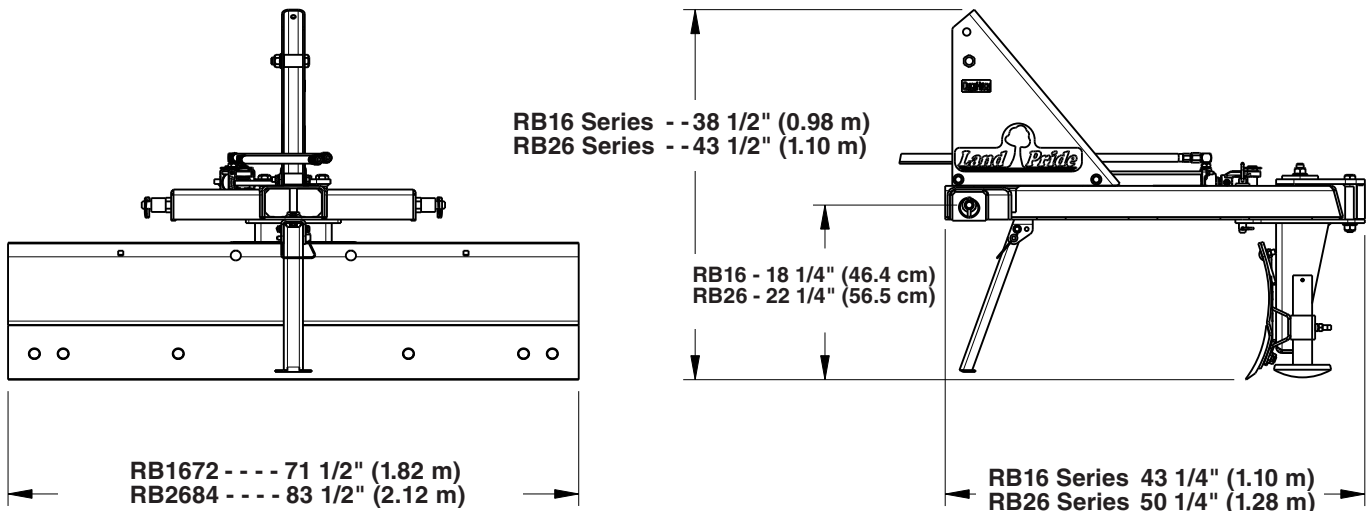
Optional side plates hold material in to be moved, while optional skid shoes keep the cutting edge off the ground to protect from hitting low obstructions.

	RB2684
Horsepower	25-60 HP
Hitch	Cat. 1
Working Width (cm)	84" (213)
Weight - lb (kg)	396 (180)
Angling	7 Fwd. Up to 45°; 3 Rev. Up to 60°
Tilt	5 Positions; Up to 15° Left or Right, 30° Total
Offset	12"
Moldboard Height	17-1/2"
Moldboard Thickness	5/16"
Kingpin	3-1/2" Tube
Cutting Edge	1/2" x 6", Reversible & Replaceable; Heat Treated
Options	Side Plates, Skid Shoes, Hydraulic Angling
Colors	



RB16 & RB26 Series

Specifications & Capacities		
Series	RB16 Series	RB26 Series
Model Numbers	RB1672	RB2684
Blade Width	72" (1.83 m)	84" (2.13 m)
Approximate Weight	297 lbs (134.7 kg)	396 lbs (179.6 kg)
Horsepower Rating	20-40 hp (14.9-29.8 kw)	25-60 hp (18.6-44.7 kw)
Moldboard Height	14" (35.6 cm)	17 1/2" (44.5 cm)
Moldboard Thickness	1/4" (6 mm)	5/16" (8 mm)
Hitch Type	Cat. I Fits Land Pride Quick Hitch	
Blade Angle	7 Forward positions up to 45° clockwise and counterclockwise 3 Reverse positions up to 30° clockwise and counterclockwise	
Blade Offset	12" (30.5 cm) left or right	
Blade Tilt	5 Positions; maximum 15° up and 15° down in 7 1/2° increments	
Cutting Edge	1/2" x 6" (1.3 cm x 15.2 cm) Heat treated, replaceable & reversible (double bevel)	
Park Stand	Folding	
Accessories	Side plates not available	Side plates
	Skid Shoes	
	Rake assemblies Available in 60", 72", 84", & 96" (1.52 m, 1.83 m, 2.13 m, & 2.44 m) working widths	Rake assemblies Available in 84" & 96" (2.13 m & 2.44 m) working widths
	Hydraulic Angling	



33220