

# STIHL

## STIHL HSA 25

Instruction Manual





# Contents

<b>1</b>	<b>Introduction</b>	<b>2</b>	9.2 Switching Off	15
<b>2</b>	<b>Guide to Using this Manual</b>	<b>2</b>	<b>10 Testing the Shrub Shears</b>	<b>15</b>
2.1	Applicable Documentation	2	10.1 Checking the Controls	15
2.2	Warning Notices in Text	3	<b>11 Operating the Shrub Shears</b>	<b>16</b>
2.3	Symbols in Text	3	11.1 Holding and Controlling the Shrub Shears	16
<b>3</b>	<b>Overview</b>	<b>3</b>	11.2 Cutting Shrubs	16
3.1	Shrub Shears, Battery and Charger	3	11.3 Cutting Grass	16
3.2	Shrub Shear Blade and Grass Shear Blade	4	<b>12 After Finishing Work</b>	<b>17</b>
3.3	Symbols	4	12.1 After Finishing Work	17
<b>4</b>	<b>Safety Precautions</b>	<b>4</b>	<b>13 Transporting</b>	<b>17</b>
4.1	Warning Signs	4	13.1 Transporting the Shrub Shears	17
4.2	Intended Use	5	13.2 Transporting the Battery	17
4.3	The Operator	5	<b>14 Storing</b>	<b>17</b>
4.4	Clothing and Equipment	6	14.1 Storing the Shrub Shears	17
4.5	Work Area and Surroundings	7	14.2 Storing the Battery	17
4.6	Safe Condition	8	14.3 Storing the Charger	17
4.7	Operation	10	<b>15 Cleaning</b>	<b>18</b>
4.8	Charging	10	15.1 Cleaning the Shrub Shears	18
4.9	Transporting	11	15.2 Cleaning the Cutting Blades	18
4.10	Storing	11	15.3 Cleaning the Battery	18
4.11	Cleaning, Maintenance and Repairs	12	15.4 Cleaning the Charger	18
<b>5</b>	<b>Preparing Shrub Shears for Operation</b>	<b>13</b>	<b>16 Maintenance</b>	<b>18</b>
5.1	Preparing Shrub Shears for Operation	13	16.1 Sharpening the Cutting Blades	18
<b>6</b>	<b>Charging the Battery, LEDs</b>	<b>13</b>	<b>17 Repairing</b>	<b>19</b>
6.1	Charging the Battery	13	17.1 Repairing the Shrub Shears, Battery and Charger	19
6.2	LEDs on charger	13	<b>18 Troubleshooting</b>	<b>20</b>
<b>7</b>	<b>Assembling the Shrub Shears</b>	<b>14</b>	18.1 Troubleshooting Shrub Shears, Battery and Charger	20
7.1	Fitting and Removing the Cutting Blades	14	18.2 Troubleshooting Charger	21
<b>8</b>	<b>Removing and Fitting the Battery</b>	<b>14</b>	<b>19 Specifications</b>	<b>22</b>
8.1	Fitting the Battery	14	19.1 STIHL HSA 25 Shrub Shears	22
8.2	Removing the Battery	15	19.2 Shrub Shear Blade, Grass Shear Blade	22
<b>9</b>	<b>Switching the Shrub Shears On/Off</b>	<b>15</b>	19.3 5120 Battery	22
9.1	Switching On the Shrub Shears	15		

# STIHL

This instruction manual is protected by copyright. All rights reserved, especially the rights to reproduce, translate and process with electronic systems.

19.4 Charger Supplied with Shrub Shears .....	22
19.5 Noise and Vibration Data .....	22
19.6 REACH .....	23
<b>20 Spare Parts and Accessories .....</b>	<b>23</b>
20.1 Spare Parts and Accessories .....	23
<b>21 Disposal .....</b>	<b>23</b>
21.1 Disposal of Shrub Shears, Battery and Charger .....	23
<b>22 EC Declaration of Conformity .....</b>	<b>23</b>
22.1 STIHL HSA 25 Shrub Shears .....	23
22.2 Conformity Notice – Charger for STIHL HSA 25 .....	23
<b>23 General Power Tool Safety Warnings .....</b>	<b>24</b>
23.1 Introduction .....	24
23.2 Work area safety .....	24
23.3 Electrical safety .....	24
23.4 Personal safety .....	24
23.5 Power tool use and care .....	25
23.6 Battery tool use and care .....	25
23.7 Service .....	26

## 1 Introduction

Dear Customer,

Thank you for choosing STIHL. We develop and manufacture our quality products to meet our customers' requirements. The products are designed for reliability even under extreme conditions.

STIHL also stands for premium service quality. Our specialist dealers guarantee competent advice and instruction as well as comprehensive service support.

We thank you for your confidence in us and hope you will enjoy working with your STIHL product.



Dr. Nikolas Stihl

**IMPORTANT: READ BEFORE USE AND KEEP IN A SAFE PLACE.**

## 2 Guide to Using this Manual

### 2.1 Applicable Documentation

Local safety regulations apply.

- ▶ Read, understand and save the following documents in addition to this instruction manual:
  - Safety information for STIHL batteries and products with built in batteries: [www.stihl.com/safety-data-sheets](http://www.stihl.com/safety-data-sheets)

## 2.2 Warning Notices in Text

### DANGER

This notice refers to risks which result in serious or fatal injury.

- ▶ Serious or fatal injuries can be avoided by taking the precautions mentioned.

### WARNING

This notice refers to risks which **can** result in serious or fatal injury.

- ▶ Serious or fatal injuries can be avoided by taking the precautions mentioned.

### NOTICE

This notice refers to risks which can result in damage to property.

- ▶ Damage to property can be avoided by taking the precautions mentioned.

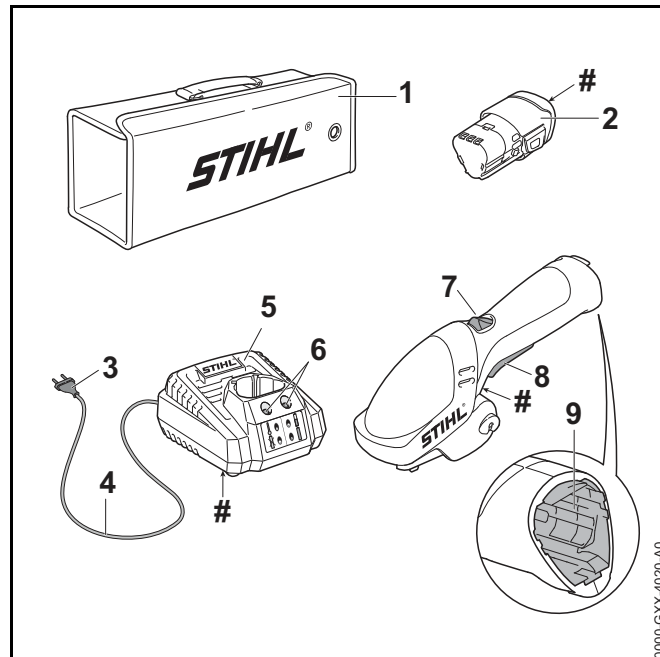
## 2.3 Symbols in Text



This symbol refers to a chapter in this instruction manual.

## 3 Overview

### 3.1 Shrub Shears, Battery and Charger



#### 1 Bag

For transporting and storing the shrub shears.

#### 2 Battery

Supplies power to the shrub shears.

#### 3 Appliance Plug

Connects cable to wall outlet.

#### 4 Connecting Cable

Connects charger to appliance plug.

#### 5 Charger

Charges the battery.

**6 LEDs**

The LED indicates the operating status of the charger.

**7 Release Slide**

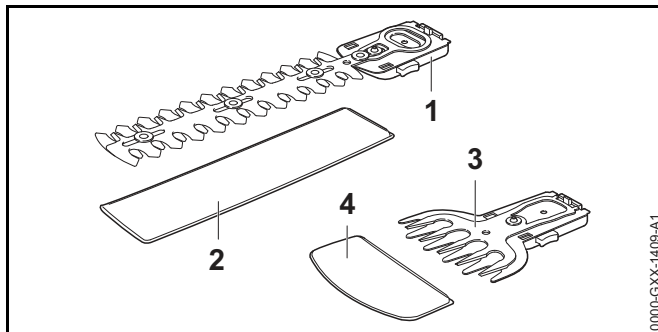
Unlocks the trigger.

**8 Trigger**

The trigger switches the shrub shears on and off.

**9 Battery Compartment**

Accommodates the battery.

**# Rating label with serial number****3.2 Shrub Shear Blade and Grass Shear Blade****1 Shrub shear blade, cutting blades**

The cutting blades cut shrubs.

**2 Blade scabbard**

Helps protect user from contact with the shrub shear blade.

**3 Grass shear blade, cutting blades**

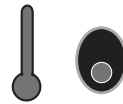
The cutting blades cut grass.

**4 Blade scabbard**

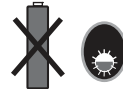
Helps protect user from contact with the grass shear blade.

**3.3 Symbols**

Meanings of symbols that may be on the shrub shears, battery and charger:



One LED glows red. Battery is within permissible temperature range, .



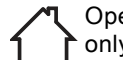
LED flashes red. There is a malfunction in the battery or charger.



1 LED flashes green Battery is being charged.



The LED (4) glows green. Battery is fully charged.



Operate the electric appliance in a dry place, indoors only.



Do not dispose of the product with your household waste.

**4 Safety Precautions****4.1 Warning Signs**

Meanings of warning signs on the shrub shears, battery and charger:



Observe safety notices and take the necessary precautions.



Read, understand and save the instruction manual.



Wear safety glasses.



Do not touch coating cutting blades.



Do not touch moving cutting blades.



Observe safety notices on flying debris and take the necessary precautions.



Maintain safe distance.



Protect shrub shears and charger from rain and dampness.



Protect battery from heat and fire.



Do not immerse battery in fluids.



Observe battery's specified temperature range.

## 4.2 Intended Use

The STIHL HSA 25 shrub shears are designed for the following applications:

- With shrub shear blade: Cutting shrubs
- With grass shear blade: Cutting grass

Do not use the shrub shears in the rain.

The included 5120 battery supplies power to the shrub shears.

The included charger charges the 5120 battery.

## ⚠ WARNING

- Batteries and chargers not explicitly approved for the shrub shears by STIHL may cause a fire or explosion. This can result in serious or fatal injuries and damage to property.
  - ▶ Use the shrub shears with the 5120 battery supplied with the tool.
  - ▶ Charge the 5120 battery with the charger supplied with the tool.
- Using the shrub shears, battery or the charger for purposes for which they were not designed may result in serious or fatal injuries, and damage to property may occur.
  - ▶ Use the shrub shears, battery and charger as described in this instruction manual.

## 4.3 The Operator

### ⚠ WARNING

- Users without adequate instruction cannot recognize or assess the risks involved in using the shrub shears, battery and charger. The user or other persons may sustain serious or fatal injuries.



- ▶ Read, understand and save the instruction manual.

- ▶ If you lend the shrub shears, battery and charger on to another person: Always give them the instruction manual.
- ▶ Make sure the user meets the following requirements:
  - The user must be rested.
  - The user must be in good physical condition and mental health to operate and work with the shrub shears, battery and charger. If the user's physical, sensory or mental ability is restricted, he or she may work only under the supervision of or as instructed by a responsible person.
  - The user is able to recognize and assess the risks involved in using the shrub shears, battery and charger.
  - The user must be of legal age or is being trained in a trade under supervision in accordance with national rules and regulations.
  - The user has received instruction from a STIHL servicing dealer or other experienced user before working with the shrub shears and using the charger for the first time.
  - The user must not be under the influence of alcohol, medication or drugs.
- ▶ If you have any queries: Contact a STIHL servicing dealer for assistance.

#### 4.4 Clothing and Equipment

### ⚠ WARNING

- Long hair can be sucked into the shrub shears during operation. This can result in serious injuries.
  - ▶ Tie up and confine long hair so that it cannot be entangled in the shrub shears.
- Objects can be thrown through the air at high speed during operation. This can result in personal injury.
  - ▶ Wear close-fitting safety glasses. Suitable safety glasses that have been tested and labeled in accordance with EN 166 or national standards are available from retailers.
- ▶ Wear a long-sleeved, snug-fitting upper garment and long trousers.
- Dust can be whipped up during operation: Whipped up dust can damage the respiratory passages and cause allergic reactions.
  - ▶ Wear a respirator.
- Inappropriate clothing can snag on wood, brush or the shrub shears. Not wearing personal protective equipment may result in serious injury.
  - ▶ Wear snug-fitting clothing.
  - ▶ Do not wear a scarf or jewelry.
- The user can come into contact with the cutting blades during operation. This can result in serious injuries.
  - ▶ Wear footwear made of durable material.
  - ▶ Wear long trousers made of durable material.
- The user can come into contact with the cutting blades during cleaning and maintenance work. This can result in personal injury.
  - ▶ Wear work gloves made of durable material.
- Wearing unsuitable footwear may cause you to slip or stumble. This can result in personal injury.
  - ▶ Wear sturdy enclosed footwear with non-slip soles.





## 4.5 Work Area and Surroundings

### 4.5.1 Shrub Shears

#### **⚠ WARNING**

- Bystanders, children and animals are not aware of the dangers of the shrub shears or thrown objects. Innocent bystanders, children and animals may be seriously injured and damage to property may occur.



- ▶ Keep bystanders, children and animals away from the work area.

- ▶ Do not leave the shrub shears unattended.
- ▶ Make sure that children cannot play with the shrub shears.
- The shrub shears are not waterproof. Working in the rain or a damp location may result in an electric shock. This can result in injuries to the user and may damage the shrub shears.



- ▶ Do not work in the rain or a damp location.

- Electrical components of the shrub shears can produce sparks. Sparks may cause a fire or an explosion in an easily combustible or explosive environment. This can result in serious or fatal injuries and damage to property.
- ▶ Do not work in an easily combustible or explosive environment.

### 4.5.2 Battery

#### **⚠ WARNING**

- Bystanders, children and animals cannot recognize or assess the dangers of the battery. Children, bystanders and animals may be seriously injured.
- ▶ Keep children, bystanders and animals away from the work area.
- ▶ Do not leave the battery unattended.

- ▶ Make sure that children cannot play with the battery.
- The battery is not protected against all ambient conditions. If the battery is exposed to certain ambient conditions, it may catch fire or explode. This can result in serious injuries and damage to property.



- ▶ Protect battery from heat and fire.
- ▶ Do not throw the battery into a fire.



- ▶ Use and store the battery at temperatures between 0°C and 40°C.



- ▶ Do not immerse battery in fluids.

- ▶ Keep battery away from metallic objects.
- ▶ Do not expose battery to high pressure.
- ▶ Do not expose battery to microwaves.
- ▶ Protect battery from chemicals and salts.

### 4.5.3 Charger

#### **⚠ WARNING**

- Innocent children, bystanders and animals are not aware of and cannot assess the dangers of a charger or electric current. Innocent children, bystanders and animals may be seriously injured.
- ▶ Keep children, bystanders and animals away from the work area.
- ▶ Do not leave the charger unattended.
- ▶ Make sure that children cannot play with the charger.

- The charger is not waterproof. Working in the rain or a damp location may result in an electric shock. This can result in injuries to the user and may damage the charger.



- ▶ Do not operate it in the rain or a damp location.

- The charger is not protected against all ambient conditions. If the charger is exposed to certain ambient conditions, it may catch fire or explode. This can result in serious injuries and damage to property.
  - ▶ Operate the charger in a dry place, indoors only.
  - ▶ Do not operate the charger in an easily combustible or explosive environment.
  - ▶ Do not operate the charger on an easily combustible surface.
  - ▶ Use and store the charger at a temperature between +5°C and +40°C.
- Persons may trip over the connecting cable. This can result in injuries and may damage the charger.
  - ▶ Lay the connecting cable flat on the floor.

## 4.6 Safe Condition

### 4.6.1 Shrub Shears

The shrub shears are in a safe condition if the following points apply:

- The shrub shears are not damaged.
- The shrub shears are clean and dry.
- The controls function properly and have not been modified.
- The shrub shear blade or grass shear blade is properly mounted.
- Only original STIHL accessories designed for these shrub shears are fitted.
- Accessories are properly mounted.

## ⚠ WARNING

- If components do not comply with safety requirements, they will no longer function properly and safety devices may be rendered inoperative. This can result in serious or fatal injuries.
  - ▶ Work only with undamaged shrub shears.
  - ▶ If the shrub shears are dirty or wet: Clean the shrub shears and allow them to dry.
  - ▶ Do not modify the shrub shears.
  - ▶ If the controls do not function properly: Do not use your shrub shears.
  - ▶ Only fit original STIHL accessories designed for these shrub shears.
  - ▶ Mount accessories as described in this instruction manual or the instructions supplied with the accessory.
  - ▶ Never insert objects in the shrub shears' openings.
  - ▶ If you have any queries: Contact your STIHL servicing dealer for assistance.

### 4.6.2 Cutting Blades

The cutting blades are in a safe condition if the following points are observed:

- Cutting blades are undamaged.
- Cutting blades are not deformed.
- Cutting blades move freely.
- Cutting blades are properly sharpened.
- Cutting blades have no burrs.

## ⚠ WARNING

- If they are in an unsafe condition, parts of the cutting blades may come off and be thrown at high speed. This can result in serious injuries.
  - ▶ Work only with undamaged cutting blades.
  - ▶ Make sure the cutting blades are properly sharpened and deburred.

- ▶ If you have any queries: Contact your STIHL servicing dealer.

#### 4.6.3 Battery

The battery is in a safe condition if the following points are observed:

- Battery is undamaged.
- Battery is clean and dry.
- Battery functions properly and has not been modified.

### WARNING

- A battery that is not in a safe condition cannot operate safely. This can result in serious injuries.
  - ▶ Never work with a damaged battery.
  - ▶ Never attempt to charge a damaged or defective battery.
  - ▶ If the battery is dirty or wet: Clean the battery and allow it to dry.
  - ▶ Never attempt to modify the battery.
  - ▶ Never insert objects in the battery's openings.
  - ▶ Never bridge the battery's contacts with metallic objects (short circuit).
  - ▶ Do not open the battery.
- Fluid may escape from a damaged battery. The fluid can cause irritation if it contacts the skin or eyes.
  - ▶ Avoid contact with the fluid.
  - ▶ In case of contact with the skin: Wash affected areas with plenty of water and soap.
  - ▶ In case of contact with the eyes: Rinse eyes with plenty of water for at least 15 minutes and seek medical advice.

- A damaged or defective battery may smell unusual, emit smoke or burn. This can result in serious or fatal injuries and damage to property.
  - ▶ If the battery smells unusual or emits smoke: Do not use the battery and keep it away from combustible substances.
  - ▶ If the battery catches fire: Attempt to extinguish the battery with a fire extinguisher or water.

#### 4.6.4 Charger

The charger is in a safe condition if the following points are observed:

- Charger is undamaged.
- Charger is clean and dry.

### WARNING

- If the product does not comply with safety requirements, components will no longer function properly or safety devices may be rendered inoperative. This can result in serious or fatal injuries.
  - ▶ Do not use a damaged charger.
  - ▶ If the charger is dirty or wet: Clean the charger and allow it to dry.
  - ▶ Never attempt to modify the charger.
  - ▶ Never insert objects in the charger's openings.
  - ▶ **Never bridge the charger's contacts with metallic objects (short circuit).**
  - ▶ Do not open the charger.

## 4.7 Operation

### WARNING

- The user cannot concentrate on the work in certain situations. The user may stumble, fall and be seriously injured.
  - ▶ Work calmly and carefully.
  - ▶ If light and visibility are poor: Do not use your shrub shears.
  - ▶ Operate the shrub shears alone.
  - ▶ Watch out for obstacles.
  - ▶ Stand on the ground while working and keep a good balance. If it is necessary to work at heights: Use a lift bucket or a safe platform.
  - ▶ If you begin to feel tired: Take a break.
- Working above shoulder height can cause you to tire quickly. This can result in serious injuries.
  - ▶ Work above shoulder height for short periods only.
  - ▶ Take regular breaks.
- If the moving cutting blades make contact with a hard object they can be brought to a sudden stop. The reactive forces that occur can cause the user to lose control of the shrub shears and be seriously injured.
  - ▶ Before starting work, check the shrub or grass for hard objects and remove any such objects.
- The moving cutting blades can cut the user. This can result in serious injuries.



- ▶ Keep your free hand away from the cutting blades.
- ▶ Do not touch moving cutting blades.
- ▶ If the cutting blades are blocked by an object: Switch off the shrub shears and remove the battery. Then remove the object causing the blockage.

- If the behavior of the shrub shears changes during operation or feels unusual, it may no longer be in a safe condition. This can result in serious injuries and damage to property.
  - ▶ Stop work, remove the battery and contact your STIHL servicing dealer for assistance.
- Vibrations may occur while using the shrub shears.
  - ▶ Wear gloves.
  - ▶ Take regular breaks.
  - ▶ If signs of circulation problems occur: Seek medical advice.
- Note that the cutting blades continue to run for about 1 second after you release the trigger. The moving cutting blades can cut the user. This can result in serious injuries.



- ▶ Hold the shrub shears firmly by the control handle and wait until the cutting blades come to a complete standstill.

### DANGER

- Working near live electric cables can result in accidental contact with and damage to the cutting blades. This can result in serious or fatal injuries.
  - ▶ Do not work near live electric cables.

## 4.8 Charging

### WARNING

Contact with live components may occur for the following reasons:

- Connecting cable is damaged.
- Plug is damaged.
- Wall outlet is not properly installed.

- Contact with live components can result in an electric shock. This can result in serious or fatal injuries.
  - ▶ Check that the connecting cable and plug are not damaged.
  - ▶ Insert the plug in a properly installed wall outlet.
- Overvoltage can occur in the charger if the line voltage or frequency are incorrect during charging. The charger may be damaged.
  - ▶ Make sure the line voltage and frequency agree with the data on the charger's rating plate.
- A damaged or defective charger may produce an unusual smell or emit smoke during the charging process. This may result in personal injuries and damage to property.
  - ▶ Disconnect the plug from the wall outlet.
- The charger can overheat and cause a fire if heat dissipation is inadequate. This can result in serious or fatal injuries and damage to property.
  - ▶ Do not cover the charger.
- If several chargers are connected to one wall outlet, electric cables may be overloaded during the charging process. The cords can overheat and cause a fire. This can result in serious or fatal injuries and damage to property.
  - ▶ Connect the charger to a single wall outlet.
  - ▶ Do not connect the charger to multiple sockets.

## 4.9 Transporting

### 4.9.1 Transporting the Shrub Shears

#### WARNING

- The shrub shears may turn over or shift during transport. This may result in personal injuries and damage to property.
  - ▶ Remove the battery.
  - ▶ Fit the blade scabbard so that it completely covers the cutting blades.

- ▶ Secure the shrub shears with lashing straps or a net to prevent it turning over and moving.

### 4.9.2 Battery

#### WARNING

- The battery is not protected against all ambient conditions. The battery may be damaged if it is exposed to certain ambient conditions and damage to property may occur.
  - ▶ Never transport a damaged battery.
  - ▶ Store the battery in non-conductive packaging.
- The battery may turn over or shift during transport. This may result in personal injuries and damage to property.
  - ▶ Pack the battery in packaging in such a way that it cannot move.
  - ▶ Secure the packaging so that it cannot move.

## 4.10 Storing

### 4.10.1 Storing the Shrub Shears

#### WARNING

- Children are not aware of and cannot assess the dangers of shrub shears and can be seriously injured.
  - ▶ Remove the battery.
  - ▶ Fit the blade scabbard so that it completely covers the cutting blades.
  - ▶ Store the shrub shears out of the reach of children.
- Dampness can corrode the electrical contacts on the shrub shears and metal components. This can damage the shrub shears.
  - ▶ Remove the battery.
  - ▶ Store the shrub shears in a clean and dry condition.

#### 4.10.2 Battery

### **⚠ WARNING**

- Children are not aware of and cannot assess the dangers of the battery and can be seriously injured.
  - ▶ Store the battery out of the reach of children.
- The battery is not protected against all ambient conditions. The battery may be damaged if it is exposed to certain ambient conditions.
  - ▶ Store the battery in a clean and dry condition.
  - ▶ Store the battery in an enclosed location.
  - ▶ Store the battery separately from the shrub shears and charger.
  - ▶ Store the battery in non-conductive packaging.
  - ▶ Store the battery at temperatures between 0°C and 40 °C.

#### 4.10.3 Charger

### **⚠ WARNING**

- Children are not aware of and cannot assess the dangers of a charger. Children may sustain serious or fatal injuries.
  - ▶ Remove the battery.
  - ▶ Store the charger out of the reach of children.
- The charger is not protected against all ambient conditions. The charger may be damaged if it is exposed to certain ambient conditions.
  - ▶ Remove the battery.
  - ▶ If the charger is hot: Allow charger to cool down.
  - ▶ Store the charger in a clean and dry condition.
  - ▶ Store the charger in an enclosed location.
  - ▶ Store the charger at a temperature between +5°C and +40°C.

- The connecting cable must not be used for carrying or hanging up the charger. The connecting cable and the charger may be damaged.
  - ▶ Hold the charger by the housing.

#### 4.11 Cleaning, Maintenance and Repairs








### **⚠ WARNING**

- The shrub shears may start unintentionally if the battery is left in place during cleaning, maintenance or repair operations. This can result in serious injuries and damage to property.
  - ▶ Remove the battery.
- Aggressive cleaning agents, a water jet or pointed objects can damage the shrub shears, cutting blades, battery and charger. If the shrub shears, cutting blades, battery or charger are not cleaned correctly, components may no longer function properly or safety devices may be rendered inoperative. This can result in serious injuries.
  - ▶ Clean the shrub shears, cutting blades, battery and charger as described in this instruction manual.
- If the shrub shears, cutting blades, battery or charger are not serviced correctly, components may no longer function properly or safety devices may be rendered inoperative. This can result in serious or fatal injuries.
  - ▶ Do not attempt to service or repair the shrub shears, battery or charger.
  - ▶ If the shrub shears, battery or the charger require servicing or repairs: Contact your STIHL servicing dealer for assistance.
  - ▶ Maintain the cutting blades as described in this instruction manual.
- The user can be cut by the sharp cutting edges while cleaning or servicing the cutting blades. This can result in personal injury.
  - ▶ Wear work gloves made of durable material.

## 5 Preparing Shrub Shears for Operation

### 5.1 Preparing Shrub Shears for Operation

Perform the following steps before starting work:

- ▶ Make sure the following components are in a safe condition:
  - Shrub shears,  4.6.1.
  - Cutting blades,  4.6.2.
  - Battery,  4.6.3.
  - Charger,  4.6.4.
- ▶ Fully charge the battery,  6.1.
- ▶ Clean the shrub shears,  15.1.
- ▶ Check the controls,  10.1.
- ▶ If you cannot carry out this work: Do not use your shrub shears and contact your STIHL servicing dealer.

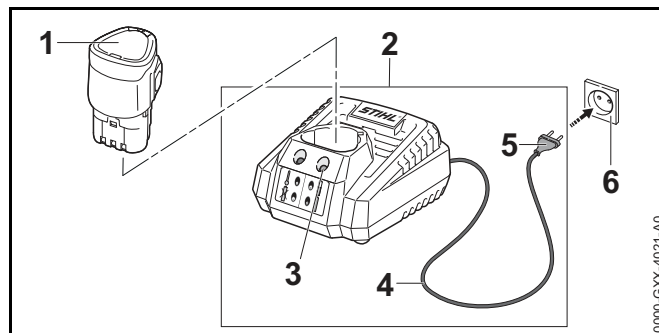
## 6 Charging the Battery, LEDs

### 6.1 Charging the Battery

The charging time depends on several factors, e.g. temperature of the battery or the ambient temperature. The actual charging time may differ from the specified charging time. For specified charging times see [www.stihl.com/charging-times](http://www.stihl.com/charging-times).

The charging process starts automatically when the plug is inserted in a wall outlet and the battery is fitted in the charger. The right LED on the charger glows green when the battery is fully charged. The charge process has been completed.

The battery and charger heat up during the charging process.



- ▶ Insert the plug (5) in a convenient wall outlet (6).
- ▶ Lay the connecting cable (4).
- ▶ Insert the battery (1) in the guides in the charger (2) and press it home as far as stop. The LED (3) flashes green and the battery (1) is being charged.
- ▶ If the LED (3) glows green: Disconnect the plug (5) from the wall outlet (6). Battery is fully charged.
- ▶ Remove the battery (1).

### 6.2 LEDs on charger

The LEDs can indicate the battery's state of charge or malfunctions in the charger or battery. The LEDs can glow or flash green or red.

If the LED flashes green, the battery is being charged.

If the LED glows green, the battery is fully charged.

- ▶ If the LED flashes red: Wait for the battery to cool down. Battery is not within permissible temperature range.
- ▶ If the LED flashes red: Do not use the charger and contact your STIHL servicing dealer. Malfunction in charger or battery.

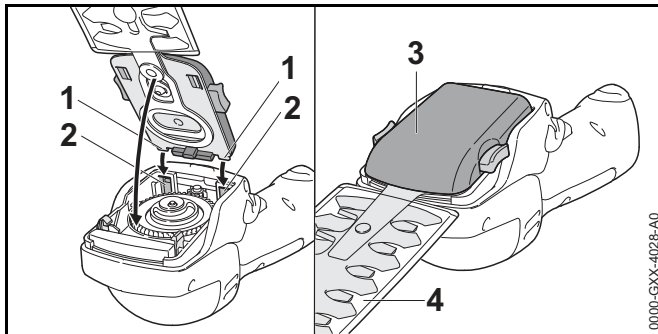
## 7 Assembling the Shrub Shears

### 7.1 Fitting and Removing the Cutting Blades

#### 7.1.1 Fitting the Shrub Shear Blade or Grass Shear Blade

The shrub shear blade and grass shear blade are fitted on the shrub shears in the same way.

- ▶ Switch off the shrub shears and remove the battery.
- ▶ Fit the blade scabbard so that it completely covers the cutting blades.

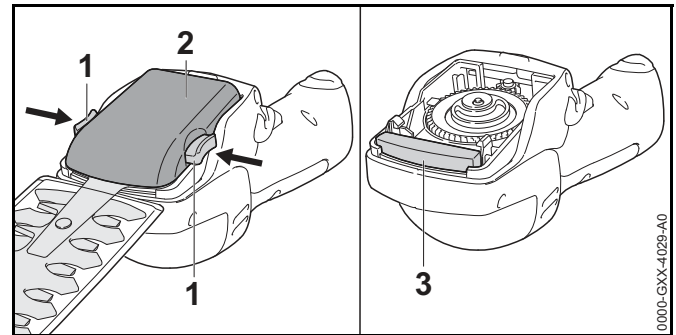


- ▶ Engage the lugs (1) of the shrub shear blade (3) or grass shear blade (3) on the guides (2).
- ▶ Swing the shrub shear blade (3) or grass shear blade (3) down and press it firmly into place. The shrub shear blade (3) or grass shear blade (3) engages with an audible click.
- ▶ Pull off the blade scabbard (4).

#### 7.1.2 Removing the Shrub Shear Blade or Grass Shear Blade

The shrub shear blade and grass shear blade are removed in the same way.

- ▶ Switch off the shrub shears and remove the battery.
- ▶ Fit the blade scabbard so that it completely covers the cutting blades.

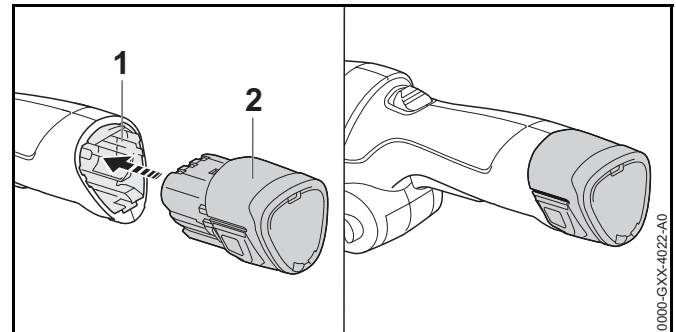


- ▶ Press in both locking levers (1). The shrub shear blade (2) or grass shear blade (2) is unlocked.
- ▶ Remove the shrub shear blade (2) or grass shear blade (2).

A foam seal (3) protects the gearbox from contamination during operation. The seal (3) is permanently connected to the shrub shears and cannot be removed.

## 8 Removing and Fitting the Battery

### 8.1 Fitting the Battery

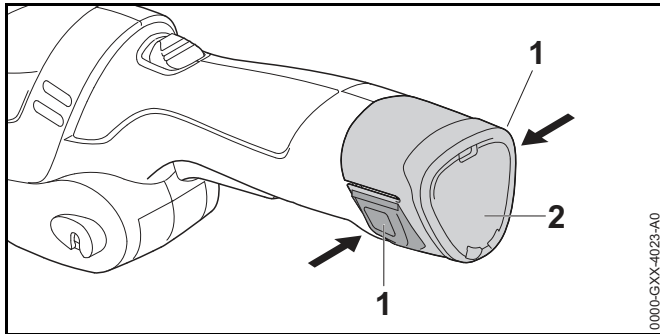


- ▶ Push the battery (2) into the battery compartment (1) as far as stop. The battery (2) engages in position with an audible click.



## 8.2 Removing the Battery

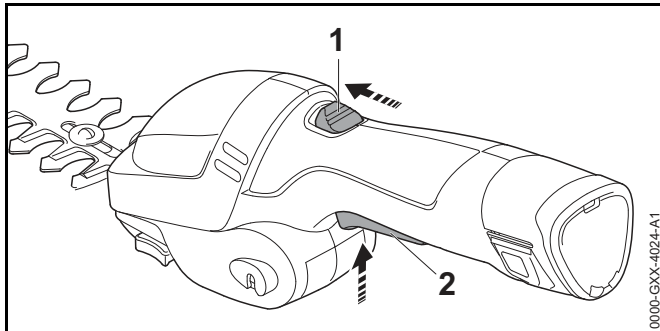
- ▶ Stand the shrub shears on a level surface.
- ▶ Hold one hand in front of the battery compartment to ensure the battery (2) does not fall out.



- ▶ Press both locking levers (1). The battery (2) is unlocked and can be removed.

## 9 Switching the Shrub Shears On/Off

### 9.1 Switching On the Shrub Shears



- ▶ Push the release slide (1) in the direction of the cutting blades with your thumb and hold it there.
- ▶ Pull the trigger (2) with your index finger and hold it there. You can let go of the release slide (1). The motor accelerates and the cutting blades run.

### 9.2 Switching Off

- ▶ Let go of the trigger and release slide.
- ▶ Wait until the cutting blades come to a complete standstill after about 1 second.
- ▶ If the cutting blades continue to run after about 1 second: Remove the battery and contact your STIHL servicing dealer. There is a malfunction in the shrub shears.

## 10 Testing the Shrub Shears

### 10.1 Checking the Controls

#### Release slide and trigger

- ▶ Remove the battery.
- ▶ Attempt to pull the trigger lever without depressing the release slide.
- ▶ If the trigger can be pulled: Do not use your shrub shears and contact your STIHL servicing dealer. The release slide has a malfunction.
- ▶ Push the release slide in the direction of the cutting blades with your thumb and hold it there.
- ▶ Pull the trigger.
- ▶ Let go of the trigger and release slide.
- ▶ If the trigger or the release slide is stiff or does not spring back to the idle position: Do not use your shrub shears and contact your STIHL servicing dealer. The trigger or release slide has a malfunction.

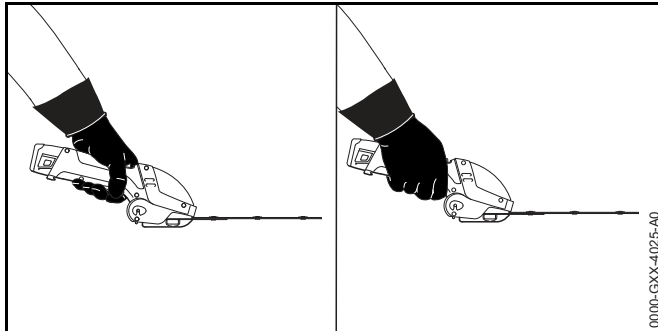
#### Switch on the shrub shears

- ▶ Fit the battery.
- ▶ Push the release slide in the direction of the cutting blades with your thumb and hold it there.
- ▶ Pull the trigger and hold it there. The cutting blades run.
- ▶ Release the trigger. The cutting blades stop running after about 1 second.

- ▶ If the cutting blades continue to run after 1 second:  
Remove the battery and contact your STIHL servicing dealer.  
There is a malfunction in the shrub shears.

## 11 Operating the Shrub Shears

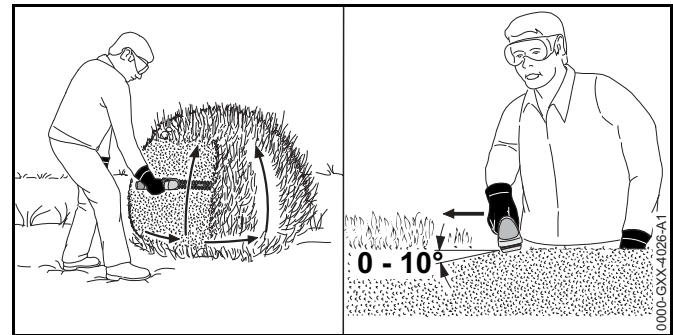
### 11.1 Holding and Controlling the Shrub Shears



- ▶ Hold the blower with one hand on the control handle - wrap your thumb around the handle.
- ▶ Keep your free hand away from the cutting blades.

### 11.2 Cutting Shrubs

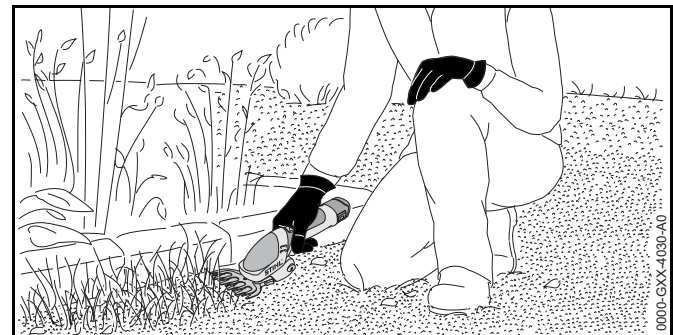
- ▶ Mount the shrub shear blade.
- ▶ Use lopping shears, a hedge trimmer or chainsaw to cut out thick branches first.



- ▶ Swing the shrub shears from the bottom upwards in an arc while making the cut.
- ▶ Lower the shrub shears without cutting.
- ▶ Walk slowly and steadily forwards.
- ▶ Swing the shrub shears from the bottom upwards in an arc while making the cut.
- ▶ Cut the other side of the shrub in the same way.
- ▶ Hold the cutting blades at an angle of 0° to 10° to the top of the shrub.
- ▶ Swing the shrub shears horizontally and in an arc while making the cut.
- ▶ If cutting performance deteriorates: Sharpen the cutting blades.

### 11.3 Cutting Grass

- ▶ Mount the grass shear blade.



- ▶ Hold the shrub shears at the required height while cutting the grass.

## 12 After Finishing Work

### 12.1 After Finishing Work

- ▶ Switch off the shrub shears and remove the battery.
- ▶ If the shrub shears are wet: Allow the shrub shears to dry.
- ▶ Clean the shrub shears.
- ▶ Clean the cutting blades.
- ▶ Fit the blade scabbard so that it completely covers the cutting blades.
- ▶ Clean the battery.

## 13 Transporting

### 13.1 Transporting the Shrub Shears

- ▶ Switch off the shrub shears and remove the battery.
- ▶ Fit the blade scabbard so that it completely covers the cutting blades.
- ▶ Carry the shrub shears by the control handle.
- ▶ Transporting the shrub shears in a vehicle: Secure the shrub shears to prevent turnover and movement.

### 13.2 Transporting the Battery

- ▶ Switch off the shrub shears and remove the battery.
- ▶ Make sure the battery is in a safe condition.
- ▶ Observe the following points when packing the battery:
  - The packaging must be non-conductive.
  - Make sure the battery cannot shift inside the packaging.
- ▶ Secure the packaging so that it cannot move.

The battery is subject to the requirements for the transport of dangerous goods. The battery is classified as UN 3480 (lithium-ion batteries) and has been tested in accordance with UN Manual of Tests and Criteria, Part III, sub-section 38.3.

For transport regulations see [www.stihl.com/safety-data-sheets](http://www.stihl.com/safety-data-sheets)

## 14 Storing

### 14.1 Storing the Shrub Shears

- ▶ Switch off the shrub shears and remove the battery.
- ▶ Fit the blade scabbard so that it completely covers the cutting blades.
- ▶ Observe the following points when storing the shrub shears:
  - The shrub shears are out of the reach of children.
  - The shrub shears are clean and dry.

### 14.2 Storing the Battery

- ▶ Check the following points when storing the battery:
  - Battery is out of the reach of children.
  - Battery is clean and dry.
  - Battery is in an enclosed location.
  - Battery is stored separately from the shrub shears and charger.
  - Battery is in non-conductive packaging.
  - Battery is in a temperature range between 0°C and 40°C.

### 14.3 Storing the Charger

- ▶ Disconnect the plug from the wall outlet.
- ▶ Remove the battery.
- ▶ Observe the following points when storing the charger:
  - Charger is out of the reach of children.
  - Charger is clean and dry.

- Charger is in an enclosed space.
- Charger is stored separately, away from the battery.
- Charger is not hanging from the connecting cable.
- Charger is in a temperature range between 5°C and 40°C.

## 15 Cleaning

### 15.1 Cleaning the Shrub Shears

- ▶ Switch off the shrub shears and remove the battery.
- ▶ Clean the shrub shears with a damp cloth or STIHL resin solvent.

### 15.2 Cleaning the Cutting Blades

- ▶ Switch off the shrub shears and remove the battery.
- ▶ Spray both sides of blades with STIHL resin solvent.
- ▶ Fit the battery.
- ▶ Switch on the shrub shears for 5 seconds.  
The cutting blades run. STIHL resin solvent is distributed evenly.

### 15.3 Cleaning the Battery

- ▶ Clean the battery with a damp cloth.

### 15.4 Cleaning the Charger

- ▶ Disconnect the plug from the wall outlet.
- ▶ Clean the charger with a damp cloth.
- ▶ Clean the charger's electrical contacts with a soft brush.

## 16 Maintenance

### 16.1 Sharpening the Cutting Blades

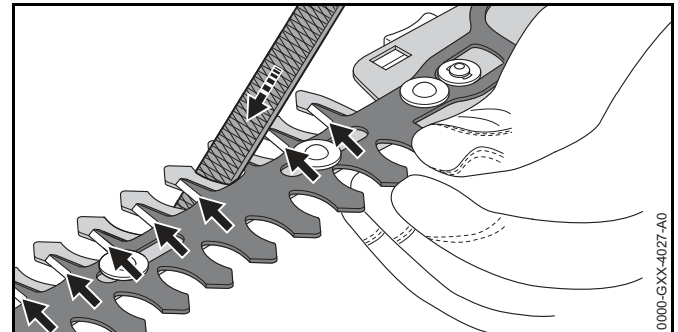
#### Shrub shear blades


STIHL recommends you have the cutting blades resharpened by a STIHL servicing dealer.

#### WARNING

The teeth of the cutting blades are very sharp. There is a risk of cut injuries.

- ▶ Wear work gloves made of durable material.



- ▶ Move the cutting blades so that the cutting edges are easily accessible.
- ▶ Use a STIHL flat crosscut file to sharpen each cutting edge on the upper blade. The file only sharpens on the forward stroke. Maintain the prescribed sharpening angle,  19.2.
- ▶ Turn shrub shear blades over.
- ▶ Sharpen the remaining cutting edges.
- ▶ Use a damp cloth to remove the filing dust.
- ▶ Spray both sides of shrub shear blades with STIHL resin solvent.

- ▶ Switch on the shrub shears for 5 seconds. The cutting blades run. STIHL resin solvent is distributed evenly.
- ▶ If you have any queries: Contact your STIHL servicing dealer for assistance.

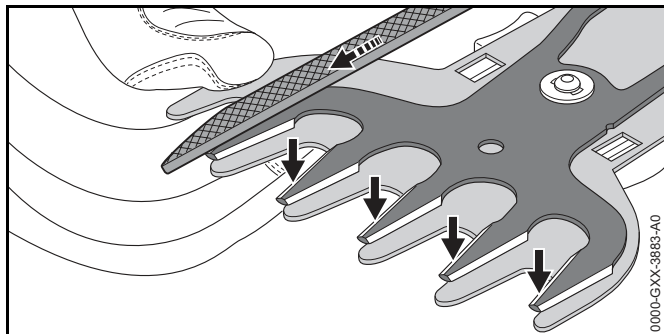
### Grass shear blades


STIHL recommends you have the cutting blades resharpened by a STIHL servicing dealer.

#### WARNING

The teeth of the cutting blades are very sharp. There is a risk of cut injuries.

- ▶ Wear work gloves made of durable material.



- ▶ Push the upper cutting blade fully in one direction so that one side of the cutting edges is easily accessible.
- ▶ Use a STIHL flat crosscut file to sharpen each cutting edge on the upper blade. The file only sharpens on the forward stroke. Maintain the prescribed sharpening angle,  19.2.
- ▶ Push the upper cutting blade fully in the other direction so that the other side of the cutting edges is easily accessible.
- ▶ Sharpen the remaining cutting edges.
- ▶ Use a damp cloth to remove the filing dust.
- ▶ Spray both sides of grass shear blades with STIHL resin solvent.

- ▶ Switch on the shrub shears for 5 seconds. The cutting blades run. STIHL resin solvent is distributed evenly.
- ▶ If you have any queries: Contact your STIHL servicing dealer for assistance.

## 17 Repairing

### 17.1 Repairing the Shrub Shears, Battery and Charger

The shrub shears, cutting blades, battery and charger are not user serviceable.

- ▶ If the shrub shears are damaged: Do not use your shrub shears and contact your STIHL servicing dealer.
- ▶ If the cutting blades are damaged: Replace the cutting blades.
- ▶ If the battery has a malfunction or is damaged: Replace the battery.
- ▶ If the charger has a malfunction or is damaged: Replace the charger.
- ▶ If the connecting cable has a malfunction or is damaged: Do not use the charger and have connecting cable replaced by a STIHL servicing dealer.

## 18 Troubleshooting

### 18.1 Troubleshooting Shrub Shears, Battery and Charger

Condition	LEDs on charger	Cause	Remedy
Shrub shears do not start when switched on.		Battery has low charge.	▶ Charge the battery.
		Battery too hot or too cold.	▶ Remove the battery. ▶ Allow battery to cool down / warm up.
		There is a malfunction in the shrub shears.	▶ Remove the battery. ▶ Clean contacts in battery compartment. ▶ Fit the battery. ▶ Switch on the shrub shears. ▶ If shrub shears still do not start when switched on: Do not use your shrub shears and contact your STIHL servicing dealer.
		Cutting blades do not run freely.	▶ Spray both sides of blades with STIHL resin solvent. ▶ If shrub shears still do not start when switched on: Do not use your shrub shears and contact your STIHL servicing dealer.
		Shrub shears are too hot.	▶ Remove the battery. ▶ Allow the shrub shears to cool down.
		There is a malfunction in the battery.	▶ Remove battery and insert it again. ▶ Switch on the shrub shears. ▶ If shrub shears still do not start when switched on: Do not use the battery and contact your STIHL dealer for assistance.
		No electrical contact between the shrub shears and battery.	▶ Remove battery and insert it again.
		Shrub shears or battery damp.	▶ Allow shrub shears or battery to dry.
Shrub shears cut out during operation.		Shrub shears are too hot.	▶ Remove the battery. ▶ Allow the shrub shears to cool down.

Condition	LEDs on charger	Cause	Remedy
		There is a electrical malfunction.	<ul style="list-style-type: none"> <li>▶ Remove battery and insert it again.</li> <li>▶ Switch on the shrub shears.</li> </ul>
Shrub shears runtime is too short.		Battery not fully charged.	<ul style="list-style-type: none"> <li>▶ Fully charge the battery.</li> </ul>
		Normal battery life has been exceeded.	<ul style="list-style-type: none"> <li>▶ Replace the battery.</li> </ul>
Charge process does not start when battery is inserted in the charger.	1 LED glows red.	Battery too hot or too cold.	<ul style="list-style-type: none"> <li>▶ Allow battery to cool down / warm up.</li> </ul>
	1 LED flashes red.	There is a malfunction in the battery or charger.	<ul style="list-style-type: none"> <li>▶ Remove battery and insert it again.</li> <li>▶ If the 1 LED continues to flash red: Do not use the charger and contact your STIHL servicing dealer.</li> </ul>

## 18.2 Troubleshooting Charger

Condition	LED on Charger	Cause	Remedy
Battery not being charged.	LED flashes red.	No electrical contact between charger and battery.	<ul style="list-style-type: none"> <li>▶ Remove the battery.</li> <li>▶ Clean contacts on charger.</li> <li>▶ Fit the battery.</li> </ul>
		Malfunction in charger.	<ul style="list-style-type: none"> <li>▶ Do not use the charger and contact your STIHL servicing dealer.</li> </ul>

## 19 Specifications

### 19.1 STIHL HSA 25 Shrub Shears

- Approved battery: 5120 Battery
- Weight without cutting blades, without battery 0.6 kg

For battery life see [www.stihl.com/battery-life](http://www.stihl.com/battery-life).

### 19.2 Shrub Shear Blade, Grass Shear Blade

#### Shrub shear blades

- Tooth spacing: 19 mm
- Cutting length: 200 mm
- Sharpening angle: 30°

#### Grass shear blades

- Tooth spacing: 16 mm
- Cutting length: 120 mm
- Sharpening angle: 35°

### 19.3 5120 Battery

- Battery technology: Lithium-ion
- Voltage: 10.8 V
- Capacity: 2.0 Ah
- Energy content: 21.6 Wh
- Permissible temperature range for operation and storage: 0°C up to 40 °C

### 19.4 Charger Supplied with Shrub Shears

- Rated voltage: see rating label
- Frequency: see rating label
- Rated power: see rating label

- Charging current: see rating label
- Permissible temperature range for operation and storage: +5°C to +40°C

For charging times see [www.stihl.com/charging-times](http://www.stihl.com/charging-times).

### 19.5 Noise and Vibration Data

K-value for sound pressure level is 2 dB(A). K-value for sound power level is 2 dB(A). K-value for vibration level is 2 m/s<sup>2</sup>.

#### HSA 25 with shrub shear blade

- Sound pressure level  $L_{pA}$  measured according to EN 60745-2-15: 70 dB(A)
- Sound power level  $L_{WA}$  measured according to EN 60745-2-15: 80 dB(A)
- Vibration level  $a_{hv}$  measured according to EN 60745-2-15: 1.2 m/s<sup>2</sup>

#### HSA 25 with grass shear blade

- Sound pressure level  $L_{pA}$  measured according to  $F_{pr}$ EN 60335-2-94: 73 dB(A)
- Sound power level  $L_{WA}$  measured according to  $F_{pr}$ EN 60335-2-94: 80 dB(A)
- Vibration level  $a_{hv}$  measured according to  $F_{pr}$ EN 60335294: 1.4 m/s<sup>2</sup>

The vibration values quoted above have been measured according to a standardized test procedure and may be used to compare electric power tools. Depending on the type of usage, the vibrations that actually occur may differ from the values quoted. The vibration values quoted may be used for an initial assessment of the user's exposure to vibrations. The actual exposure to vibrations has to be estimated. This process may also take into account times during which the electric power tool is switched off and times during which it is switched on but running off load.

Information on compliance with Vibration Directive 2002/44/EC is available at [www.stihl.com/vib](http://www.stihl.com/vib).



## 19.6 REACH

REACH is an EC regulation and stands for the Registration, Evaluation, Authorisation and Restriction of Chemical substances.

For information on compliance with the REACH regulation see [www.stihl.com/reach](http://www.stihl.com/reach).

## 20 Spare Parts and Accessories

### 20.1 Spare Parts and Accessories

**STIHL**® These symbols identify original STIHL replacement parts and original STIHL accessories.

STIHL recommends the use of original STIHL replacement parts and accessories.

Original STIHL replacement parts and original STIHL accessories are available from STIHL servicing dealers.

## 21 Disposal

### 21.1 Disposal of Shrub Shears, Battery and Charger

Contact your STIHL servicing dealer for information on disposal.

- ▶ Dispose of the shrub shears, battery, charger, accessories and packaging in accordance with local regulations and environmental requirements.

## 22 EC Declaration of Conformity

### 22.1 STIHL HSA 25 Shrub Shears

ANDREAS STIHL AG & Co. KG  
Badstrasse 115  
D-71336 Waiblingen  
Germany

declare in exclusive responsibility that

- Category: Cordless shrub shears with shrub and grass shear blades
- Make: STIHL
- Model: HSA 25
- Serial identification: 4515

conforms to the relevant provisions of Directives 2011/65/EU, 2006/42/EC, 2014/30/EU and 2000/14/EC and has been developed and manufactured in compliance with the following standards in the versions valid on the date of production: EN 55014-1, EN 55014-2, EN 60745-1, EN 60745-2-15, EN 60335-1 and EN 50636-2-94.

Applied conformity assessment procedure in accordance with Directive 2000/14/EC, Annex V.

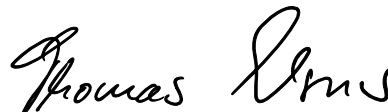
- Measured sound power level: 78 dB(A)
- Guaranteed sound power level: 80 dB(A)

Technical documents are deposited at ANDREAS STIHL AG & Co. KG Produktzulassung (Product Licensing).

The year of manufacture, country of manufacture and serial number are applied to the shrub shears.

Done at Waiblingen, 01.11.2018

ANDREAS STIHL AG & Co. KG



Thomas Elsner, Director Product Management and Services

### 22.2 Conformity Notice – Charger for STIHL HSA 25

This charger has been manufactured and put on the market in accordance with the following directives: 2014/35/EU, 2014/30/EU and 2011/65/EU.

The country of manufacture and serial number are applied to the charger.

The complete EC Declaration of Conformity is available from ANDREAS STIHL AG & Co. KG, Badstrasse 115, 71336 Waiblingen, Germany.

## 23 General Power Tool Safety Warnings

### 23.1 Introduction

This chapter reproduces the pre-formulated, general safety precautions specified in the IEC 62841 standard for hand-held motor-operated electric tools.

STIHL is obliged to publish these texts.

The safety precautions and warnings on avoiding an electric shock given under "Electrical Safety" do not apply to STIHL cordless products.

#### WARNING

**Read all the safety precautions, instructions, illustrations and specifications accompanying this electric power tool.**

Failure to follow the safety warnings and instructions may result in electric shock, fire and/or serious injury. **Save all safety warnings and instructions for future reference.**

The term "electric power tool" in the safety warnings refers to mains-operated (corded) power tools or battery-operated (cordless) power tools.

### 23.2 Work area safety

- a) **Keep work area clean and well lit.** Cluttered or dark areas invite accidents.
- b) **Do not operate power tools in explosive atmospheres, such as in the presence of flammable liquids, gases or dust.** Power tools create sparks which may ignite the dust or fumes.
- c) **Keep children and bystanders away while operating a power tool.** Distractions can cause you to lose control.

### 23.3 Electrical safety

- a) **Power tool plugs must match the outlet. Never modify the plug in any way. Do not use any adapter plugs with earthed (grounded) power tools.** Unmodified plugs and matching outlets will reduce risk of electric shock.
- b) **Avoid body contact with earthed or grounded surfaces, such as pipes, radiators, ranges and refrigerators.** There is an increased risk of electric shock if your body is earthed or grounded.
- c) **Do not expose power tools to rain or wet conditions.** Water entering a power tool will increase the risk of electric shock.
- d) **Do not abuse the cord. Never use the cord for carrying, hanging up, pulling or unplugging the power tool. Keep cord away from heat, oil, sharp edges or moving parts.** Damaged or entangled cords increase the risk of electric shock.
- e) **When operating a power tool outdoors, use an extension cord suitable for outdoor use.** Use of a cord extension suitable for outdoor use reduces the risk of electric shock.
- f) **If operating a power tool in a damp location is unavoidable, use a residual current device (RCD) protected supply.** Use of an RCD reduces the risk of electric shock.

### 23.4 Personal safety

- a) **Stay alert, watch what you are doing and use common sense when operating a power tool. Do not use a power tool while you are tired or under the influence of drugs, alcohol or medication.** A moment of inattention while operating power tools may result in serious personal injury.
- b) **Use personal protective equipment. Always wear eye protection.** Protective equipment such as dust mask, non-skid safety shoes, hard hat, or hearing protection used for appropriate conditions will reduce personal injuries.
- c) **Prevent unintentional starting. Ensure the switch is in the off position before connecting to power source and/or battery pack, picking up or carrying the power tool.**

Carrying power tools with your finger on the switch or energizing power tools that have the switch on invites accidents.

- d) **Remove any adjusting key or wrench before turning the power tool on.** A wrench or a key left attached to a rotating part of the power tool may result in personal injury.
- e) **Do not overreach. Keep proper footing and balance at all times.** This enables better control of the power tool in unexpected situations.
- f) **Dress properly. Do not wear loose clothing or jewelry. Keep your hair, clothing and gloves away from moving parts.** Loose clothes, jewelry or long hair can be caught in moving parts.
- g) **If dust extraction and collection devices can be mounted, they should be connected and used correctly.** Use of dust collection can reduce dust-related hazards.
- h) **Do not be lulled into a false sense of security and do not disregard the safety rules even if you are thoroughly familiar with the electric power tool.** Carelessness can result in serious injuries within fractions of a second.

### 23.5 Power tool use and care

- a) **Do not force the power tool. Use the correct power tool for your application.** The correct power tool will do the job better and safer at the rate for which it was designed.
- b) **Do not use the power tool if the switch does not turn it on and off.** Any power tool that cannot be controlled with the switch is dangerous and must be repaired.
- c) **Disconnect the plug from the power source and/or take a removable battery pack out of the power tool before making any adjustments, changing accessories, or storing power tools.** Such preventive safety measures reduce the risk of starting the power tool accidentally.
- d) **Store idle power tools out of the reach of children and do not allow persons unfamiliar with the power tool or these instructions to operate the power tool.** Power tools are dangerous in the hands of untrained users.

- e) **Maintain power tools and accessories with care. Check for misalignment or binding of moving parts, breakage of parts and any other condition that may affect the power tool's operation. If damaged, have the power tool repaired before use.** Many accidents are caused by poorly maintained power tools.
- f) **Keep cutting attachments sharp and clean.** Properly maintained cutting attachments with sharp cutting edges are less likely to bind and are easier to control.
- g) **Use the power tool, accessories, tool bits etc. in accordance with these instructions, taking into account the working conditions and the work to be performed.** Use of the power tool for operations different from those intended could result in a hazardous situation.
- h) **Keep handles and grip surfaces dry, clean and free from oil and grease.** Slippery handles and grip surfaces do not allow proper operation and control of the power tool in unforeseen situations.

### 23.6 Battery tool use and care

- a) **Recharge only with the charger specified by the manufacturer.** A charger that is suitable for one type of battery pack may create a risk of fire when used with another battery pack.
- b) **Use power tools only with specifically designated battery packs.** Use of any other battery packs may create a risk of injury and fire.
- c) **When battery pack is not in use, keep it away from other metal objects, like paper clips, coins, keys, nails, screws or other small objects that can make a connection from one terminal to another.** Shorting the battery terminals together may cause burns or a fire.
- d) **Under abusive conditions, liquid may be ejected from the battery; avoid contact. If contact accidentally occurs, flush with water. If liquid contacts eyes, additionally seek medical help.** Liquid ejected from the battery may cause irritation or burns.

- e) **Do not use a battery pack or tool that is damaged or modified.** Damaged or modified batteries may exhibit unpredictable behaviour resulting in fire, explosion or risk of injury.
- f) **Do not expose a battery pack or tool to fire or excessive temperature.** Exposure to fire or temperature above 130 °C (265 °F) may cause explosion.
- g) **Follow all charging instructions and do not charge the battery pack or tool outside the temperature range specified in the instructions.** Charging improperly or at temperatures outside the specified range may damage the battery and increase the risk of fire.

### 23.7 Service

- a) **Have your power tool serviced by a qualified repair person using only identical replacement parts.** This will ensure that the safety of the power tool is maintained.
- b) **Never service damaged batteries.** Service of battery packs should only be performed by the manufacturer or authorized service providers.







0458-708-0121-A

englisch



[www.stihl.com](http://www.stihl.com)



0458-708-0121-A