

STIHL[®]

STIHL RE 90

Instruction Manual



Contents

1	Introduction	2
2	Guide to Using this Manual	2
2.1	Applicable documents	2
2.2	Warning Notices in Text	3
2.3	Symbols in Text	3
3	Overview	3
3.1	Pressure washer	3
3.2	Spray attachment	4
3.3	Symbols	5
4	Safety Precautions	5
4.1	Warning Symbols	5
4.2	Intended use	6
4.3	Requirements concerning the user	6
4.4	Clothing and equipment	6
4.5	Work area and surroundings	7
4.6	Safe condition	7
4.7	Operation	8
4.8	Detergents	11
4.9	Connecting the water supply	11
4.10	Connecting to the power supply	11
4.11	Transport	12
4.12	Storage	13
4.13	Cleaning, servicing and repairs	13
5	Safety instructions - Accessories	14
5.1	Spray lance extension, surface cleaner, pipe cleaning kit, angled spray lance and angled nozzle	14
6	Preparing the pressure washer for operation	15
6.1	Preparing the pressure washer for operation	15
7	Assembling the pressure washer	15
7.1	Assembling the pressure washer	15
7.2	Fitting and removing the high-pressure hose	16
7.3	Attaching and removing the spray gun	17
7.4	Attaching and removing the spray lance	17
7.5	Attaching and removing the nozzle	18
8	Connecting to a water source	18
8.1	Connecting the water filter	18
8.2	Connecting the pressure washer to the water supply	19
8.3	Connecting the pressure washer to another water source	20
9	Connecting the pressure washer to the power supply	21
9.1	Connecting the pressure washer to the power supply	21
10	Switching the pressure washer on and off	21
10.1	Switching on the pressure washer	21
10.2	Switching off the pressure washer	21
11	Operating the pressure washer	22
11.1	Holding and controlling the spray gun	22
11.2	Squeezing and locking the spray gun trigger	22
11.3	Cleaning	23
11.4	Using detergents	23
12	After Finishing Work	24
12.1	After finishing work	24
12.2	Protecting the pressure washer with antifreeze	25
13	Transporting	25
13.1	Transporting the pressure washer	25
14	Storing	25
14.1	Storing the pressure washer	25
15	Cleaning	26
15.1	Cleaning the pressure washer and accessories	26
15.2	Cleaning the nozzle and spray lance	26
15.3	Cleaning the water intake screen	26
15.4	Cleaning the water filter	26
16	Maintenance	27
16.1	Maintenance intervals	27

STIHL®

This instruction manual is protected by copyright. All rights reserved, especially the rights to reproduce, translate and process with electronic systems.

17 Repairing	27
17.1 Repairing the pressure washer	27
18 Troubleshooting	28
18.1 Correcting faults in the pressure washer	28
18.2 Lubricating the seals	30
19 Specifications	30
19.1 Pressure washer STIHL RE 90	30
19.2 Extension Cords	31
19.3 Sound and Vibration Levels	32
19.4 REACH	32
20 Spare Parts and Accessories	32
20.1 Spare Parts and Accessories	32
21 Disposal	32
21.1 Disposing of the pressure washer	32
22 EC Declaration of Conformity	32
22.1 Pressure washer STIHL RE 90	32

1 Introduction

Dear Customer,

Thank you for choosing STIHL. We develop and manufacture our quality products to meet our customers' requirements. The products are designed for reliability even under extreme conditions.

STIHL also stands for premium service quality. Our specialist dealers guarantee competent advice and instruction as well as comprehensive service support.

We thank you for your confidence in us and hope you will enjoy working with your STIHL product.



Dr. Nikolas Stihl

IMPORTANT: READ BEFORE USE AND KEEP IN A SAFE PLACE.

2 Guide to Using this Manual

2.1 Applicable documents

The local safety regulations apply.

- ▶ In addition to this Instruction Manual please read the following documents, make sure you have understood them and keep them in a safe place for future reference:
 - Instruction Manual and packaging of the accessory used
 - Instruction Manual and packaging of the detergent used

2.2 Warning Notices in Text

DANGER

This notice refers to risks which result in serious or fatal injury.

- ▶ Serious or fatal injuries can be avoided by taking the precautions mentioned.

WARNING

This notice refers to risks which **can** result in serious or fatal injury.

- ▶ Serious or fatal injuries can be avoided by taking the precautions mentioned.

NOTICE

This notice refers to risks which can result in damage to property.

- ▶ Damage to property can be avoided by taking the precautions mentioned.

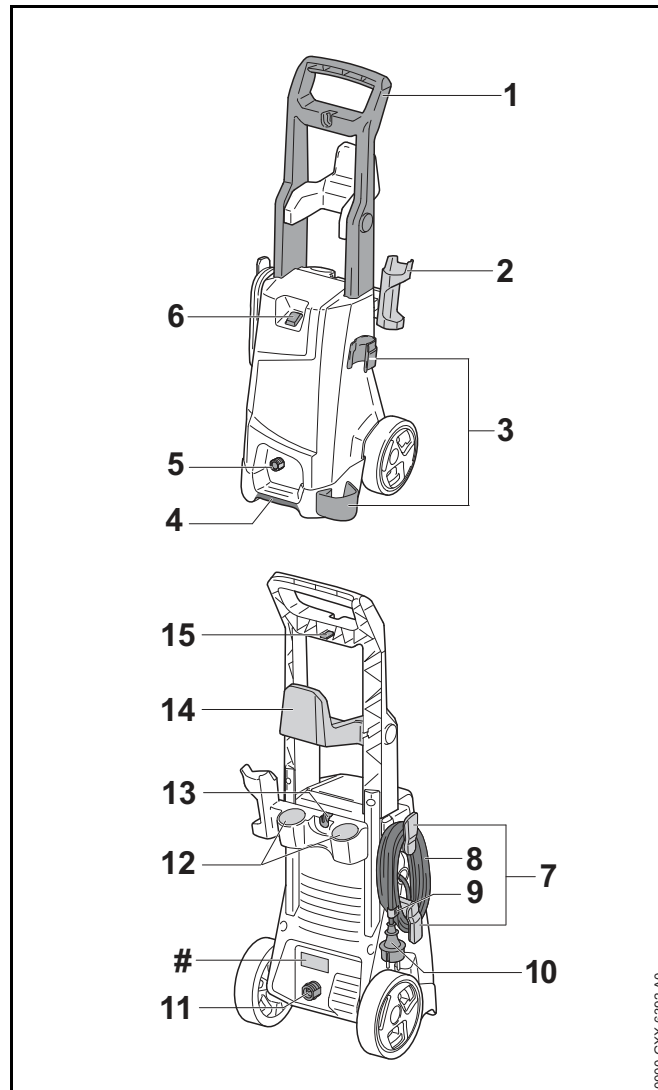
2.3 Symbols in Text



This symbol refers to a chapter in this instruction manual.

3 Overview

3.1 Pressure washer



0000-GXX-6392-A0

1 Handle

The handle is used when carrying and moving the pressure washer.

2 Holder

The holder is used to store the spray gun.

3 Holder

The holder is used to store the spray attachment.

4 Carrying handle

The carrying handle is used to carry the pressure washer.

5 Connector

The connector is used to connect the high-pressure hose.

6 Rocker switch

The rocker switch is used to switch the pressure washer on and off.

7 Holder

The holder is used to store the connecting cord.

8 Connecting cord

The connecting cord connects the pressure washer to the mains plug.

9 Clip

The clip attaches the mains plug to the coiled connecting cord.

10 Mains plug

The mains plug connects the connecting cord to a socket.

11 Connector

The connector is used to connect the water hose.

12 Compartments

The compartments are used to store the supplied nozzles.

13 Holder

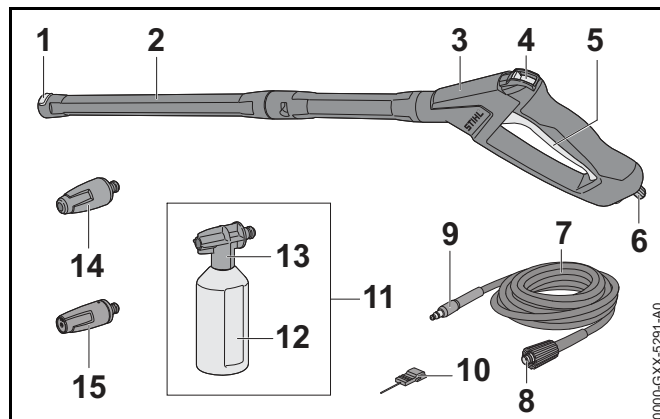
The holder is used to store the spraying set.

14 Holder

The holder is used to store the high-pressure hose.

15 Cleaning pin

The cleaning pin is used to clean the nozzle.

Rating plate with serial number**3.2 Spray attachment****1 Latch**

The latch holds the nozzle in the spray lance.

2 Spray lance

The spray lance connects the spray gun with the nozzle.

3 Spray gun

The spray gun is used to hold and guide the spray attachment.

4 Retaining latch

The retaining latch unlocks the trigger.

5 Trigger

The trigger opens and closes the valve in the spray gun. The trigger starts and stops the water jet.

6 Locking lever

The locking lever holds the connector in the spray gun.

7 High-pressure hose

The high-pressure hose transports the water from the high-pressure pump to the spray gun.

8 Coupling

The coupling connects the high-pressure hose with the high-pressure pump.

9 Connector

The connector connects the high-pressure hose with the spray gun.

10 Cleaning pin

The cleaning pin is provided to clean the nozzles.

11 Spraying set

The spraying set is used for cleaning with detergents.

12 Bottle

The bottle contains the detergent.

13 Spray nozzle

The spray nozzle mixes the detergent with the water.

14 Rotary nozzle

The rotary nozzle creates a strong, rotating water jet.

15 Fan-jet nozzle

The fan-jet nozzle creates a flat water jet.

3.3 Symbols

The symbols may appear on the pressure washer, the spray attachment or the spraying set. Their meaning is as follows:



In this position the retaining latch unlocks the lever.



In this position the retaining latch locks the lever.



Drain the spraying set before transport or secure it so that it cannot topple over and cannot move.



Do not dispose of product with the household refuse.



Guaranteed sound power level in accordance with Directive 2000/14/EC in dB(A) so that noise levels of different products can be compared.



These symbols denote original STIHL spare parts and original STIHL accessories.

4 Safety Precautions**4.1 Warning Symbols**

The warning symbols on the pressure washer have the following meanings:



Observe the safety advice and associated measures.



Read the Instruction Manual, make sure you have understood it and keep it in a safe place for reference.



Wear goggles and hearing protection.



Do not direct the water jet at people and animals.



Do not direct the water jet at electrical systems, electrical connections, sockets and live cables.



Do not direct the water jet at electrical appliances and the pressure washer itself.



If the connecting cord or the extension cord is damaged: Unplug the mains plug from the socket.



Do not connect the pressure washer directly to the drinking water main.



Switch off pressure washer during breaks from operation and before transport, storage, servicing or repair.



Do not use, transport and store the pressure washer at temperatures below 0 °C.

4.2 Intended use

The pressure washer STIHL RE 90 is used for example to clean vehicles, trailers, patios, paths and facades.

The pressure washer is not suitable for commercial use.

The pressure washer must not be used in the rain.

⚠ WARNING

- Using the pressure washer other than for its intended use can result in serious injuries or death and damage to property.
 - ▶ Always use the pressure washer as described in this Instruction Manual.

The pressure washer STIHL RE 90 is not designed to be used for:

- Cleaning asbestos cement and similar surfaces
- Cleaning surfaces painted or varnished with paints containing lead
- Cleaning surfaces which come into contact with foodstuffs.
- Cleaning the pressure washer itself

4.3 Requirements concerning the user

⚠ WARNING

- Users who have not received instruction are not aware of and cannot assess the dangers of the pressure washer. The user or other people may be seriously injured or killed.



- ▶ Read the Instruction Manual, make sure you have understood it and keep it in a safe place for reference.

- ▶ If allowing another person to use the pressure washer: Give them the Instruction Manual as well.
- ▶ Make sure that the user fulfills the following requirements:
 - The user is rested.
 - The user is physically, sensorially and mentally able to operate the pressure washer and to work with it.
 - The user is an adult.
 - The user has received instruction from a STIHL servicing dealer or other expert before operating the pressure washer for the first time.
 - The user is not under the influence of alcohol, medicines or drugs.
- ▶ If in any doubt: Contact a STIHL servicing dealer.

4.4 Clothing and equipment

⚠ WARNING

- Objects may be thrown into the air at high speed while working. The user may be injured.



- ▶ Wear close-fitting safety glasses. Suitable safety glasses tested to standard EN 166 or national standards and bearing the corresponding mark are available to buy.

- ▶ Wear a long-sleeved, close-fitting top and long trousers.

- Noise will be emitted when working. Noise can damage your hearing.



- ▶ Wear ear protection.

- Aerosols may be formed when working. Inhaling aerosols can be harmful to health and trigger allergic reactions.

- ▶ Carry out a risk assessment based on the surface to be cleaned and its surroundings.

- ▶ If the risk assessment shows that aerosols will be formed: Wear a class FFP2 or equivalent respirator mask.

- Wearing unsuitable footwear can cause the user to slip and fall. The user may be injured.

- ▶ Wear sturdy, enclosed footwear with non-slip soles.

4.5 Work area and surroundings

⚠ WARNING

- Bystanders, children and animals are not aware of the dangers of the pressure washer and objects being thrown into the air and cannot assess them. Bystanders, children and animals may be seriously injured and property may be damaged.

- ▶ Keep bystanders, children and animals away from the work area.
- ▶ Do not leave the pressure washer unattended.
- ▶ Ensure that children cannot play with the pressure washer.

- If you work in the rain or in a damp environment, an electric shock may occur. The user may be seriously injured or killed and the pressure washer may be damaged.
 - ▶ Do not use in rain.
 - ▶ Position the pressure washer so that it will not be wet by dripping water.
 - ▶ Position the pressure washer outside the wet work area.
- Electrical components of the pressure washer can produce sparks. Sparks can cause fires and explosions in a flammable or explosive environment. This can result in serious injuries or death and damage to property.
 - ▶ Do not work in a flammable environment or in an explosive environment.

4.6 Safe condition

The pressure washer is in a safe condition if the following conditions are fulfilled:

- The pressure washer is undamaged.
- The high-pressure hose, the couplings and the spray attachment are undamaged.
- The high-pressure hose, the couplings and the spray attachment are correctly attached.
- The connecting cord, the extension cord and their plugs are undamaged.
- The pressure washer is clean and dry.
- The spray attachment is clean.
- The controls work and they have not been modified.
- Only an original STIHL accessory for this pressure washer is fitted.
- The accessory is correctly fitted.

▲ WARNING

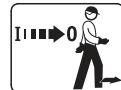
- Parts that are not in a safe condition cannot function properly and safety devices can be disabled. People can be seriously injured or killed.
 - ▶ Never use a damaged pressure washer.
 - ▶ Never use a damaged high-pressure hose, couplings or spray attachment.
 - ▶ Attach the high-pressure hose, couplings and spray attachment as described in this Instruction Manual.
 - ▶ Never use a damaged connecting cord, extension cord or mains plug.
 - ▶ If the pressure washer is dirty or wet: clean the pressure washer and allow it to dry.
 - ▶ If the spray attachment is dirty: Clean the spray attachment.
 - ▶ Do not modify the pressure washer.
 - ▶ If the controls do not work: Do not operate the pressure washer.
 - ▶ Only fit original STIHL accessories for this pressure washer.
 - ▶ Fit the accessories as described in this Instruction Manual or in the Instruction Manual for the accessory.
 - ▶ Do not insert objects into the openings in the pressure washer.
 - ▶ If in any doubt: Contact a STIHL servicing dealer.

4.7 Operation

▲ WARNING

- In certain situations the user may no longer be able to concentrate on the job. The user may trip, fall and be seriously injured.
 - ▶ Keep calm and plan your work.
 - ▶ In poor light conditions and poor visibility: Do not operate the pressure washer.
 - ▶ Use the pressure washer on your own.

- ▶ Watch out for obstacles.
- ▶ Stand safely on the ground when operating the pressure washer and keep your balance. If you have to work at a height: use a lift bucket or secure scaffolding.
- ▶ If you experience signs of fatigue: Take a break.
- If the pressure washer starts behaving differently or in an unusual way while operating, the pressure washer may be in an unsafe condition. This can result in serious injuries and damage to property.
 - ▶ Stop working, unplug the mains plug from the socket and consult a STIHL servicing dealer.
 - ▶ The pressure washer must always be operated in an upright position.
 - ▶ To ensure an adequate exchange of cooling air, do not cover the pressure washer.
- When the spray gun trigger is released, the high-pressure pump switches off automatically and water stops flowing out of the nozzle. The pressure washer is then in stand-by mode and is still switched on. If the spray gun trigger is squeezed, the high-pressure pump switches on again automatically and water flows out of the nozzle. This can result in serious injuries and damage to property.
 - ▶ When not operating the machine: Lock the spray gun trigger.



- ▶ Switch off pressure washer.

- ▶ Unplug the mains plug of the pressure washer from the socket.

- At temperatures below 0° C water can freeze on the surface to be cleaned and in the components of the pressure washer. The user may slip, fall and be seriously injured. Property may be damaged.
 - ▶ Do not use the pressure washer at temperatures below 0° C.
- Pulling on the high-pressure hose, water hose or connecting cord can cause the pressure washer to move and topple over. Property may be damaged.
 - ▶ Do not pull on the high-pressure hose, water hose or connecting cord.
- If the pressure washer is placed on a sloping, uneven or soft surface it may move and topple over. Property may be damaged.
 - ▶ Place the pressure washer on a horizontal, flat, hard surface.
- If working at a height, the pressure washer or the spray attachment may fall to the ground. This can result in serious injuries and damage to property.
 - ▶ Use a lift bucket or secure scaffolding.
 - ▶ Do not place the pressure washer in a lift bucket or on scaffolding.
 - ▶ If the high-pressure hose does not have sufficient reach: Extend the high-pressure hose by connecting a high-pressure hose extension.
 - ▶ Secure the spray attachment so that it cannot fall.
- The water jet may detach asbestos fibers from surfaces. Asbestos fibers may spread through the air after drying and be breathed in. Breathing in asbestos fibers can be harmful to health.
 - ▶ Do not clean surfaces containing asbestos.
- The water jet may remove oil from vehicles or machinery. The oily water may enter the soil, the water system or the drains. That would create an environmental hazard.
 - ▶ Vehicles or machinery should only be cleaned at places where there is an oil trap in the water drain.
- In combination with leaded paint the water jet can form leaded aerosols and leaded water. Leaded aerosols and leaded water may enter the soil, the water system or the drains. Breathing in aerosols can be harmful to health and trigger allergic reactions. That would create an environmental hazard.
 - ▶ Do not clean surfaces that are painted or lacquered with leaded paint.
- The water jet can damage sensitive surfaces. Property may be damaged.
 - ▶ Do not clean sensitive surfaces with the rotary nozzle.
 - ▶ Sensitive surfaces made of rubber, fabric, wood and similar materials should be cleaned at a lower operating pressure and from a greater distance.
- If while in use the rotary nozzle is immersed in dirty water and then operated, the rotary nozzle may be damaged.
 - ▶ Do not use the rotary nozzle with dirty water.
 - ▶ If cleaning a container: Empty the container and allow the water to flow away while cleaning it.

- Drawing in flammable and explosive liquids can cause fires and explosions. This can result in serious injuries or death and damage to property.

- ▶ Do not draw in or spray flammable or explosive liquids.

- Drawing in irritant, corrosive and toxic liquids can endanger health and damage components of the pressure washer. This can result in serious injuries or death and damage to property.

- ▶ Do not draw in or spray irritant, corrosive or toxic liquids.

- The strong water jet can seriously injure people and animals and cause damage to property.



- ▶ Do not direct the water jet at people or animals.

- ▶ Do not direct the water jet at places that are not fully visible.

- ▶ Do not use the water jet to clean clothing while wearing it.

- ▶ Do not use the water jet to clean shoes or boots while wearing them.

- If electrical equipment, electrical connections, sockets and live power cords come into contact with water, electric shock may result. This can result in serious injuries or death and damage to property.



- ▶ Do not direct the water jet at electrical equipment, electrical connections, sockets or live power cords.

- ▶ Do not direct the water jet at the connecting cord or extension cord.

- If electrical appliances or the pressure washer come into contact with water, electric shock may result. The user may be seriously injured or killed and property may be damaged.



- ▶ Do not direct the water jet at electrical appliances or at the pressure washer.

- ▶ Keep electrical appliances and the pressure washer away from the surface to be cleaned.

- An incorrectly routed high-pressure hose may suffer damage. As a result of the damage, water under high pressure may escape uncontrolled into the surrounding area. This can result in serious injuries and damage to property.

- ▶ Do not direct the water jet at the high-pressure hose.

- ▶ Route the high-pressure hose so that it is not under tension or tangled.

- ▶ Route the high-pressure hose so that it will not be damaged, kinked or crushed, or chafed.

- ▶ Protect the high-pressure hose from heat, oil and chemicals.

- An incorrectly routed water hose may suffer damage and people may trip over it. People may be injured and the water hose may be damaged.

- ▶ Do not direct the water jet at the water hose.

- ▶ Route and mark the water hose so that people will not trip over it.

- ▶ Route the water hose so that it is not under tension or tangled.

- ▶ Route the water hose so that it will not be damaged, kinked or crushed, or chafed.

- ▶ Protect the water hose from heat, oil and chemicals.

- The strong water jet produces reactive forces. The reactive forces occurring may cause the user to lose control of the spray attachment. The user may be seriously injured and property may be damaged.

- ▶ Hold the spray gun firmly with both hands.

- ▶ Always use the pressure washer as described in this Instruction Manual.

4.8 Detergents

⚠ WARNING

- If detergents come into contact with the skin or eyes, the skin or eyes may be irritated.
 - ▶ Observe the Instruction Manual for the detergent.
 - ▶ Avoid contact with detergents.
 - ▶ If skin contact occurs: Wash affected areas of skin with plenty of water and soap.
 - ▶ If eye contact occurs: Flush eyes with plenty of water for at least 15 minutes and consult a doctor.
- Using the wrong detergent can damage the pressure washer or the surface of the object being cleaned and be harmful to the environment.
 - ▶ Use detergents that are approved for use with high-pressure cleaners.
 - ▶ Observe the Instruction Manual for the detergent.
 - ▶ If in any doubt: Contact a STIHL servicing dealer.

4.9 Connecting the water supply

⚠ WARNING

- Releasing the spray gun trigger causes a kickback in the water hose. A kickback can force dirty water back into the drinking water main. This can pollute the drinking water.



- ▶ Do not connect the pressure washer directly to the drinking water main.

- ▶ A backflow preventer complying with the applicable regulations should be fitted in-line when connecting a pressure washer to the drinking water main. If drinking water has passed through the backflow preventer, it can no longer be regarded as drinking water.

- Dirty or sandy water can damage components of the pressure washer.
 - ▶ Use clean water.
 - ▶ If using dirty or sandy water: Use a water filter with the pressure washer.
- If the water supply to the pressure washer is insufficient, components of the pressure washer may be damaged.
 - ▶ Turn tap fully on.
 - ▶ Make sure there is a sufficient supply of water to the pressure washer, 19.1.

4.10 Connecting to the power supply

Contact with live parts can occur for the following reasons:

- The connecting cord or the extension cord is damaged.
- The mains plug of the connecting cord or extension cord is damaged.
- The socket is not properly installed.



⚠ DANGER

- Contact with live parts can result in electric shock. The user may be seriously injured or killed.
 - ▶ Make sure that the connecting cord, extension cord and their plugs are undamaged.



If the connecting cord or the extension cord is damaged:

- ▶ Do not touch the damaged areas.
- ▶ Unplug the mains plug from the socket.
- ▶ Make sure your hands are dry before touching the connecting cord, extension cord or plugs.
- ▶ Plug the mains plug of the connecting cord or extension cord into a properly installed, shockproof socket with the correct fuse rating.
- ▶ Connect the pressure washer via a residual current circuit breaker (30 mA, 30 ms).

- A damaged or unsuitable extension cord can result in electric shock. People can be seriously injured or killed.
 - ▶ Use an extension cord with the correct cross-section,  19.2.
 - ▶ Only use an extension cord which is splash-proof and approved for outdoor use.
 - ▶ Use an extension cord that has the same characteristics as the connecting cord of the pressure washer,  19.2

WARNING

- During operation, an incorrect mains voltage or incorrect mains frequency may result in an overvoltage in the pressure washer. The pressure washer may be damaged.
 - ▶ Make sure that the mains voltage and the mains frequency of the power supply match the data on the rating plate of the pressure washer.
- Electrical components may be overloaded during operation if more than one electric power tool is connected to a multiple socket. The electrical components may heat up and a fire may break out. This can result in serious injuries or death and damage to property.
 - ▶ Only ever connect one pressure washer to one socket.
 - ▶ Do not connect pressure washers to multiple sockets.
- An incorrectly routed connecting cord or extension cord may be damaged and people may trip over it. People may be injured and the connecting cord or extension cord may be damaged.
 - ▶ Route the connecting cord and extension cord so that the water jet cannot touch them.
 - ▶ Route and mark the connecting cord and extension cord so that people will not trip over them.
 - ▶ Route the connecting cord and extension cord so that they are not under tension or tangled.
 - ▶ Route the connecting cord and extension cord so that they will not be damaged, kinked or crushed and will not be chafed.
 - ▶ Protect the connecting cord and extension cord from heat, oil and chemicals.

- ▶ Lay the connecting cord and extension cord on a dry surface.
- The extension cord warms up in operation. If that heat cannot escape, it may cause a fire.
 - ▶ If using a cable reel: Completely unroll the cable reel.

4.11 Transport

WARNING

- The pressure washer may topple over or move during transport. This can result in injuries and damage to property.
 - ▶ Lock the spray gun trigger.



- ▶ Switch off pressure washer.

- ▶ Unplug the mains plug of the pressure washer from the socket.



- ▶ Drain the spraying set or secure it so that it cannot topple over and cannot move.

- ▶ Secure the pressure washer with lashing straps, belts or a net so that it cannot topple over and cannot move.

- At temperatures below 0° C water can freeze in the components of the pressure washer. The pressure washer may be damaged.
 - ▶ Drain high-pressure hose and spray attachment.



- ▶ If the pressure washer cannot be protected from frost in transport: Protect the pressure washer with glycol-based antifreeze.

4.12 Storage

⚠ WARNING

- Children are not aware of and cannot assess the dangers of the pressure washer. Children can be seriously injured.
 - ▶ Lock spray gun trigger.



- ▶ Switch off pressure washer.

- ▶ Unplug the mains plug of the pressure washer from the socket.
- ▶ Store the pressure washer out of the reach of children.
- Moisture may cause the electrical contacts on the pressure washer and metal components to corrode. The pressure washer may be damaged.
 - ▶ Store the pressure washer in a clean, dry state.
- At temperatures below 0 °C water may freeze in components of the pressure washer. The pressure washer may be damaged.
 - ▶ Drain high-pressure hose and spray attachment.

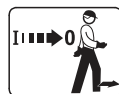


- ▶ If the pressure washer cannot be stored in a frost-free environment: Protect the pressure washer using a glycol-based antifreeze.

4.13 Cleaning, servicing and repairs

⚠ WARNING

- If the mains plug is plugged into a socket when carrying out cleaning, servicing or repairs, it is possible for the pressure washer to be switched on inadvertently. This can result in serious injuries and damage to property.
 - ▶ Lock the spray gun trigger.



- ▶ Switch off pressure washer.

- ▶ Unplug the mains plug of the pressure washer from the socket.
- Harsh detergents, cleaning with a water jet or sharp objects can damage the pressure washer. If the pressure washer is not properly cleaned, parts may not function properly and safety devices can be disabled. People can be seriously injured.
 - ▶ Always clean the pressure washer as described in this Instruction Manual.
- If the pressure washer is not properly serviced or repaired, parts may not function properly and safety devices can be disabled. People can be seriously injured or killed.
 - ▶ Do not attempt to service or repair the pressure washer yourself.
 - ▶ If the connecting cord is faulty or damaged: Have the connecting cord replaced by a STIHL servicing dealer.
 - ▶ If the pressure washer needs to be serviced or repaired: Contact a STIHL servicing dealer.

5 Safety instructions - Accessories

5.1 Spray lance extension, surface cleaner, pipe cleaning kit, angled spray lance and angled nozzle

Spray lance extension

▲ WARNING

- The spray lance extension intensifies the reactive forces. The reactive forces occurring may cause the user to lose control of the spray attachment. The user may be seriously injured and property may be damaged.
 - ▶ Attach only one spray lance extension.
 - ▶ Hold the spray gun firmly with both hands.
 - ▶ Always use the equipment as described in this Instruction Manual.

Surface cleaner

▲ WARNING

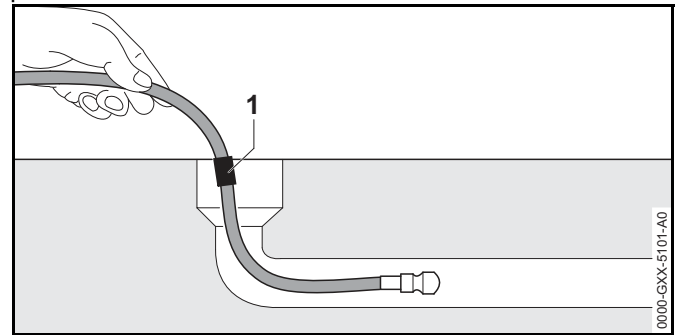
- The water jet may injure the user.
 - ▶ Do not reach underneath the surface cleaner.
 - ▶ Hold and guide the surface cleaner as described in the surface cleaner Instruction Manual.



Pipe cleaning kit

▲ WARNING

- The pipe cleaning hose intensifies the reactive forces. If the spray gun trigger is squeezed when the pipe cleaning hose is not in the pipe, the pipe cleaning hose may thrash around in an uncontrolled manner. The user may lose control of the pipe cleaning hose. The user may be seriously injured and property may be damaged.



- ▶ Push the pipe cleaning hose into the pipe up to the mark (1) before switching on the pressure washer and squeezing the spray gun trigger.
- ▶ When the mark on the pipe cleaning hose comes into view as it is pulled out:
 - Release spray gun trigger
 - Switch off pressure washer
 - Turn off water supply
 - Actuate the spray gun: The water pressure will be reduced
 - Lock the spray gun trigger
- In a big pipe, the pipe cleaning hose may change direction inside the pipe and come back out of the pipe opening. The user may lose control of the pipe cleaning hose. The user may be seriously injured and property may be damaged.
 - ▶ Keep an eye on the pipe.
 - ▶ If the nozzle of the pipe cleaning hose comes out of the pipe:
 - Release spray gun trigger
 - Lock the spray gun trigger
 - Switch off pressure washer

Angled spray lance and angled nozzle

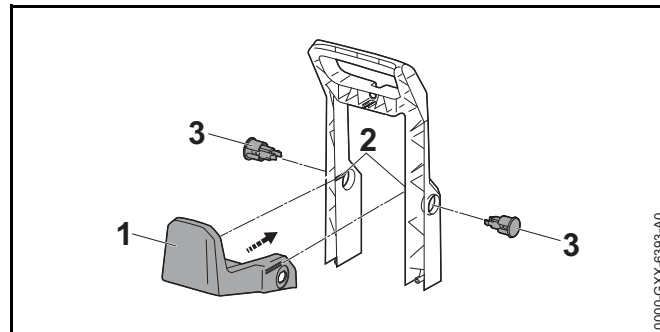
⚠ WARNING

- An angled spray lance and the angled nozzle intensify the lateral reactive forces. The reactive forces occurring may cause the user to lose control of the spray attachment. The user may be seriously injured and property may be damaged.
 - ▶ Attach only one spray lance extension.
 - ▶ Hold the spray gun firmly with both hands.

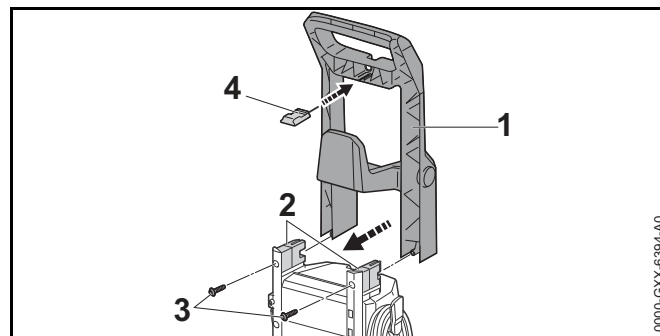
6 Preparing the pressure washer for operation**6.1 Preparing the pressure washer for operation**

The following steps must be carried out every time before starting work:

- ▶ Make sure that the pressure washer, the high-pressure hose, the hose coupling and the connecting cord are in a safe condition, 4.6.
- ▶ Clean the pressure washer, 15.
- ▶ If using a water filter and the water filter is dirty: Clean the water filter, 15.4.
- ▶ Place the pressure washer on a stable, flat surface so that it cannot slip or topple over.
- ▶ Connect the high-pressure hose, 7.2.1.
- ▶ Attach the spray gun, 7.3.1.
- ▶ Attach the spray lance, 7.4.1.
- ▶ Attach the nozzle, 7.5.1.
- ▶ If using a detergent: Using detergents, 11.4.
- ▶ If using an accessory: Fit accessory, 5.
- ▶ Connect the pressure washer to a water source, 8.
- ▶ Connect the pressure washer to the power supply, 9.1.
- ▶ If it is not possible to carry out these steps: Do not use the pressure washer. Consult a STIHL servicing dealer.

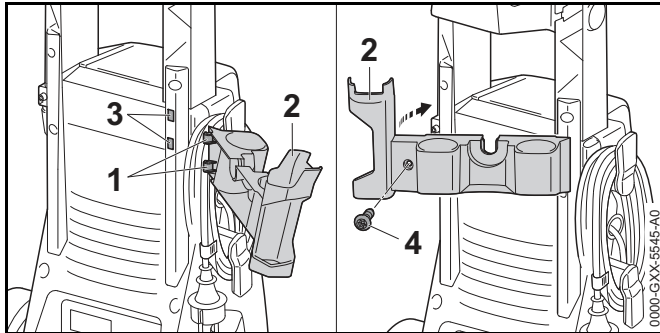
7 Assembling the pressure washer**7.1 Assembling the pressure washer****Installing the holder**

- ▶ Slide the holder (1) into the guides (2). The holder (1) engages audibly.
- ▶ Push the plugs (3) into the mounts. The plugs (3) engage audibly.

Attaching the handle and inserting the cleaning pin

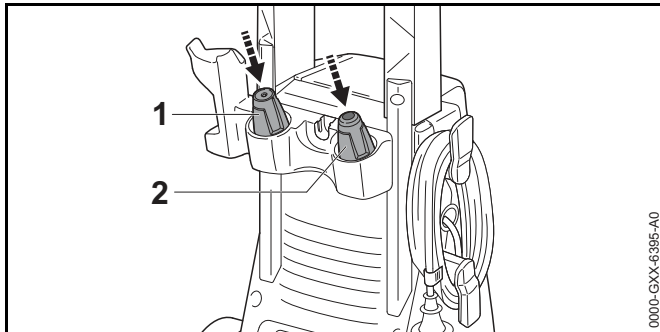
- ▶ Slide handle (1) onto the holder (2).
- ▶ Insert screws (3) and tighten.
- ▶ Insert cleaning pin (4).

Installing the holder



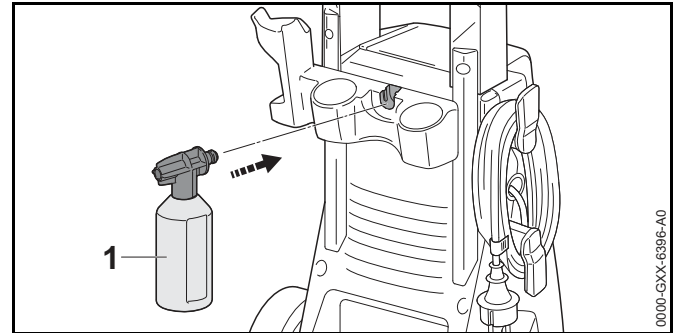
- ▶ Engage the hooks (1) of the holder (2) in the guides (3).
- ▶ Fold the holder (2) to the left.
- ▶ Insert screw (4) and tighten.

Inserting nozzles



- ▶ Insert fan-jet nozzle (1) and rotary nozzle (2).

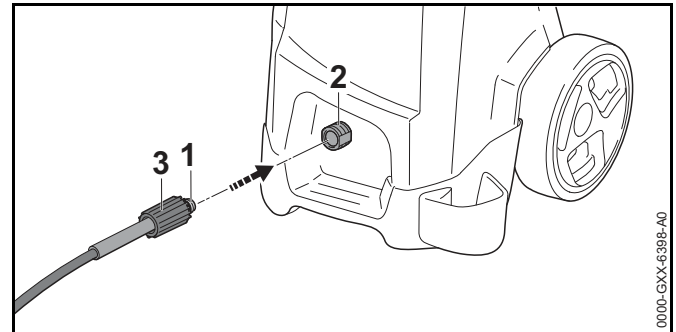
Attaching spraying set



- ▶ Insert spraying set (1).

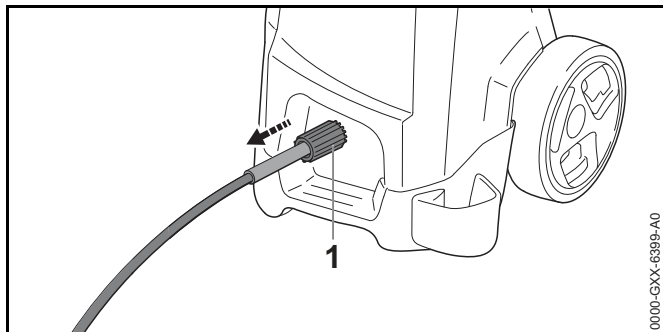
7.2 Fitting and removing the high-pressure hose

7.2.1 Connecting the high-pressure hose



- ▶ Push the coupling (1) into the connector (2).
- ▶ Screw union nut (3) onto the connector (2).
- ▶ If it is difficult to slide the coupling (1) into the connector:
Grease coupling (1) with grease for fittings.
- ▶ If it is difficult to turn the union nut (3) on the connector:
Grease union nut (3) with grease for fittings.

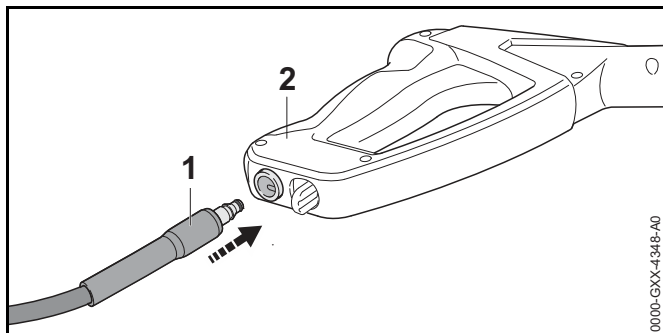
7.2.2 Removing high-pressure hose



- ▶ Unscrew union nut (1).
- ▶ Pull out high-pressure hose.

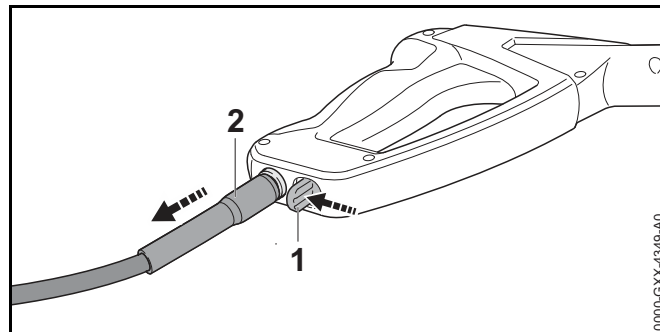
7.3 Attaching and removing the spray gun

7.3.1 Attaching the spray gun



- ▶ Slide the socket (1) into the spray gun (2). The socket (1) audibly engages.
- ▶ If the socket (1) cannot be easily pushed into the spray gun (2): Grease the seal on the socket (1) with grease for fittings.

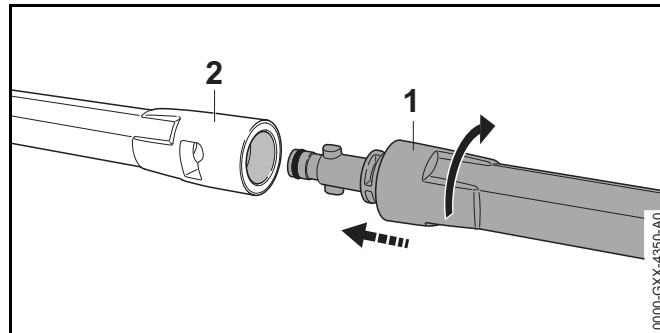
7.3.2 Removing the spray gun



- ▶ Press and hold the locking lever (1).
- ▶ Pull out the socket (2).

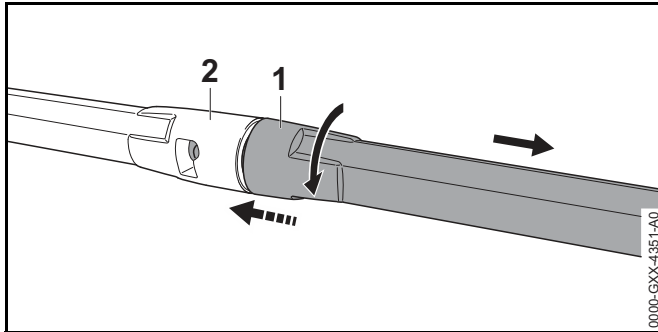
7.4 Attaching and removing the spray lance

7.4.1 Attaching the spray lance



- ▶ Push spray lance (1) into spray gun (2).
- ▶ Twist the spray lance (1) until it engages.
- ▶ If the spray lance (1) cannot be pushed easily into the spray gun (2): Grease the gasket on the spray lance (1) with grease for fittings.

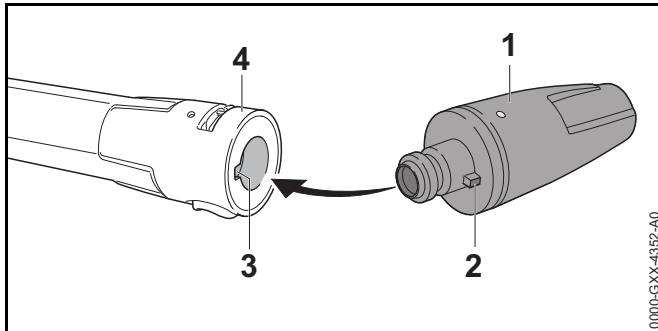
7.4.2 Removing the spray lance



- ▶ Squeeze spray lance (1) and spray gun (2) together and twist as far as they will go.
- ▶ Pull spray lance (1) and spray gun (2) apart.

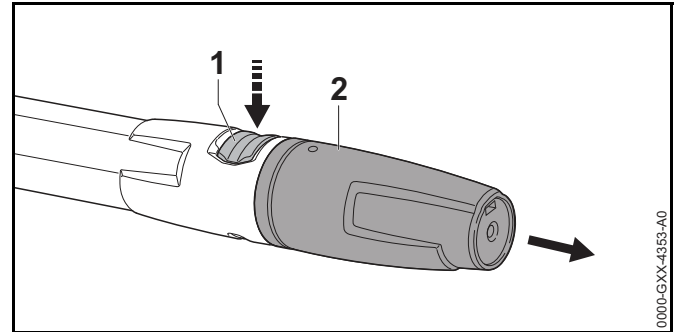
7.5 Attaching and removing the nozzle

7.5.1 Attaching the nozzle



- ▶ If attaching the fan-jet nozzle: Align the nozzle (1) so that the lug (2) lines up with the recess (3) in the spray lance (4).
- ▶ Push the nozzle (1) into the spray lance (4). The nozzle (1) audibly engages.
- ▶ If the nozzle (1) cannot be pushed easily into the spray lance (4): Grease the gasket on the nozzle (1) with grease for fittings.

7.5.2 Removing the nozzle



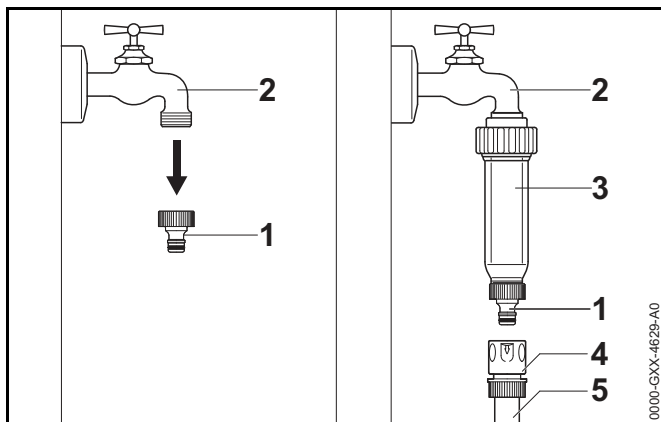
- ▶ Press and hold the safety latch (1).
- ▶ Pull out the nozzle (2).

8 Connecting to a water source

8.1 Connecting the water filter

If the pressure washer is to be operated with sandy water or with water from cisterns, a water filter must be connected in-line between the water tap and the water hose. The water filter filters sand and dirt out of the water and thus protects the components of the pressure washer from damage.

Depending on the market, the water filter may be supplied with the pressure washer.



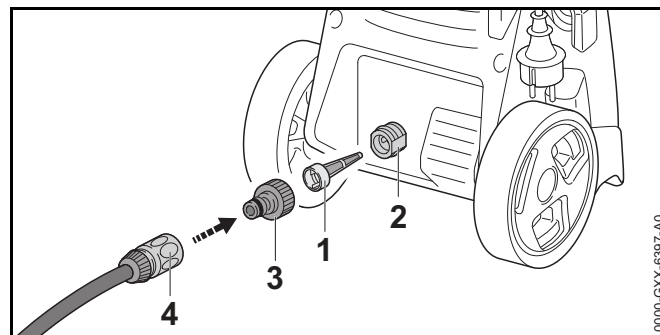
- ▶ Unscrew connector (1) from water tap (2).
- ▶ Screw water filter (3) onto water tap (2) and tighten hand-tight.
- ▶ Screw connector (1) onto water filter (3) and tighten hand-tight.
- ▶ Push hose coupling (4) of water hose (5) onto connector (1).

8.2 Connecting the pressure washer to the water supply

Connecting the water hose

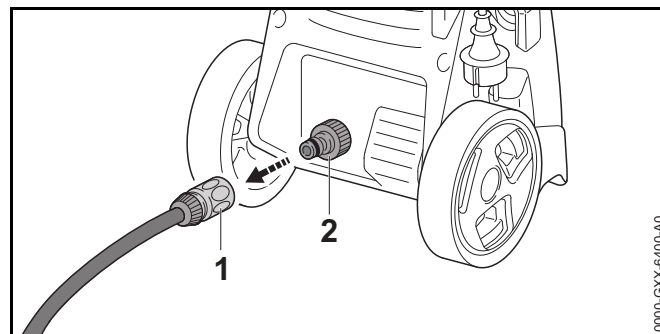
The water hose must meet the following requirements:

- The water hose has a diameter of 1/2".
- The water hose is between 10 m and 25 m long.
- ▶ Connect water hose to a water tap.
- ▶ Turn on the water tap fully and rinse the water hose with water.
Sand and dirt will be rinsed out of the water hose. The water hose will be vented.
- ▶ Turn off water tap.



- ▶ Insert water intake screen (1) into the connector (2).
- ▶ Screw connector (3) onto connector (2) and tighten hand-tight.
- ▶ Push the coupling (4) onto the connector (2).
The coupling (4) audibly engages.
- ▶ Open water tap fully.
- ▶ If the spray lance is fitted to the spray gun: Remove spray lance.
- ▶ Keep the trigger of the spray gun pressed until an even jet of water is delivered by the spray gun.
- ▶ Release spray gun trigger.
- ▶ Lock spray gun trigger.
- ▶ Fit spray lance.
- ▶ Attach the nozzle.

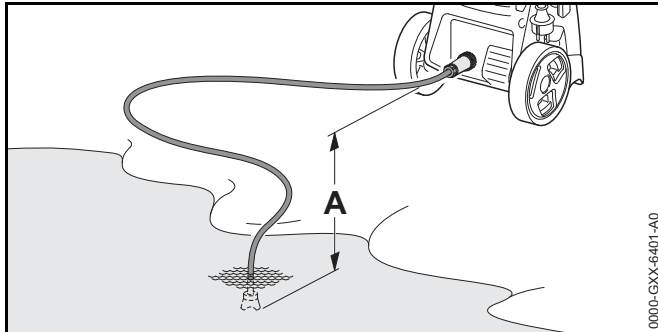
Remove water hose




- ▶ Turn off water tap.
- ▶ To release the coupling: Pull or turn ring (1) and hold.
- ▶ Pull the coupling off the connector (2).

8.3 Connecting the pressure washer to another water source

The pressure washer can draw water from water butts and cisterns and from running or stagnant bodies of water.



So that the water can be drawn in, the height difference between the pressure washer and the water source should not exceed the maximum suction lift (a),  19.1.

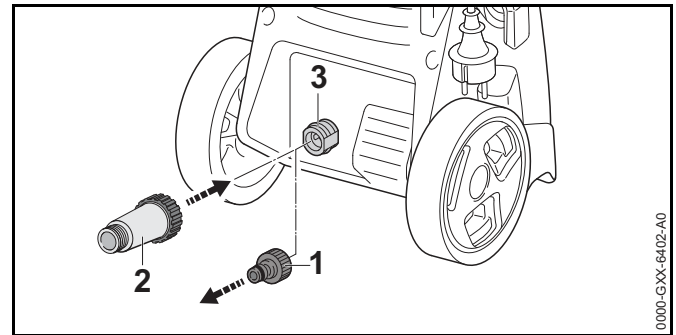
The appropriate STIHL suction set must be used. The suction set includes a water hose with a special coupling.

Depending on the market, the appropriate STIHL suction set may be supplied with the pressure washer.

Connecting the water filter

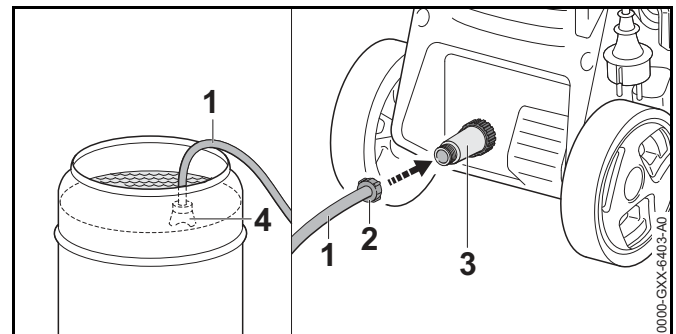
If operating the pressure washer with sandy water from water butts, cisterns or running or stagnant bodies of water, a water filter must be connected in-line between the water hose and the pressure washer.

Depending on the market, the water filter may be supplied with the pressure washer.



- ▶ Unscrew connector (1).
- ▶ Screw water filter (2) onto connector (3) and tighten hand-tight.

Connecting the water hose



- ▶ Fill water hose (1) with water until there is no air left in the water hose.
- ▶ Screw coupling (2) onto connector (3) of water filter and tighten hand-tight.
- ▶ Suspend the suction cup (4) in the water source so that the suction cup (4) does not touch the bottom.
- ▶ If the spray gun is attached to the high-pressure hose: remove the spray gun.
- ▶ Hold the high-pressure hose downward.
- ▶ Switch on pressure washer and run it until an even jet of water is delivered by the high-pressure hose.
- ▶ Switch off pressure washer.

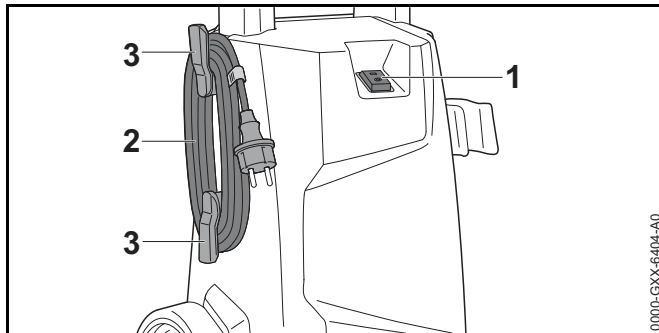
9 Connecting the pressure washer to the power supply

English

- ▶ Attach spray gun to the high-pressure hose.
- ▶ Squeeze and hold down spray gun trigger.
- ▶ Switch on pressure washer.

9 Connecting the pressure washer to the power supply

9.1 Connecting the pressure washer to the power supply

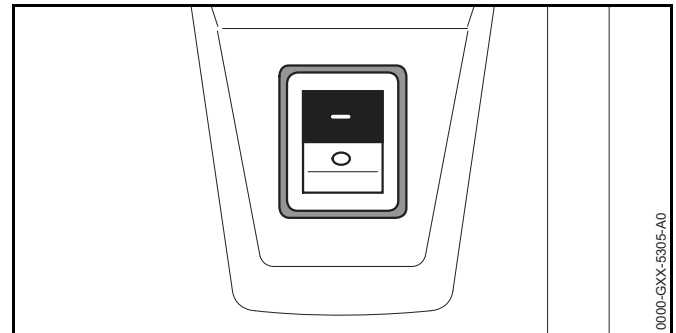


- ▶ Move the rocker switch (1) to the **0** position.
- ▶ Remove connecting cord (2) from the holders (3).
- ▶ Plug the connecting cord (2) into a correctly installed socket.

10 Switching the pressure washer on and off

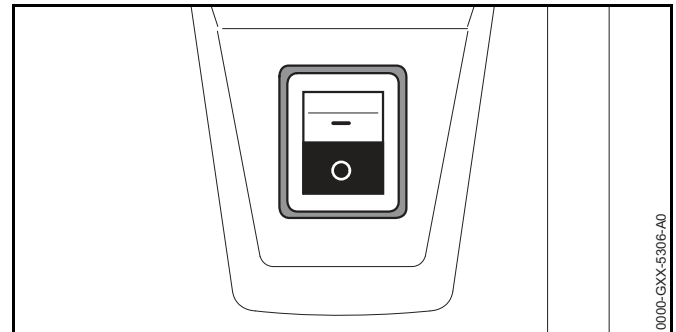
10.1 Switching on the pressure washer.

When the pressure washer is switched on, voltage fluctuations may occur under unfavorable mains conditions with a power line impedance greater than 0.15 Ohm. The voltage fluctuations may negatively affect other connected electrical appliances.



- ▶ Set the toggle switch to the **I** position.

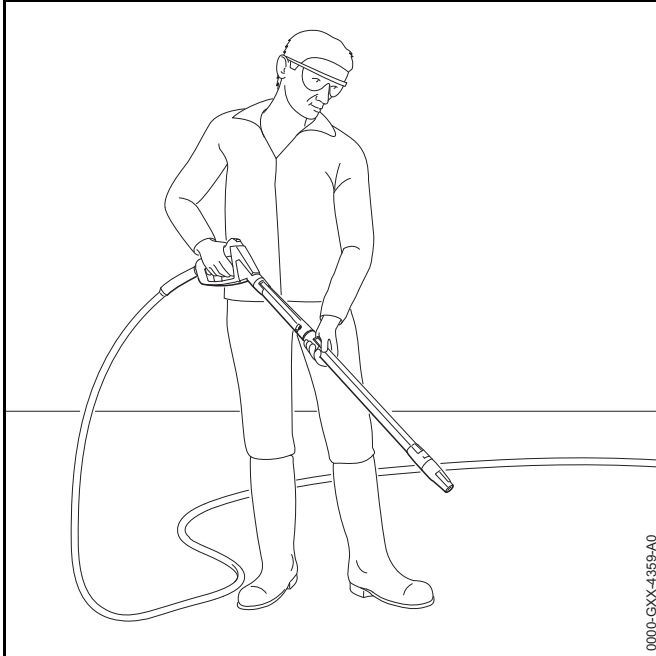
10.2 Switching off the pressure washer.



- ▶ Set the toggle switch to the **0** position.

11 Operating the pressure washer

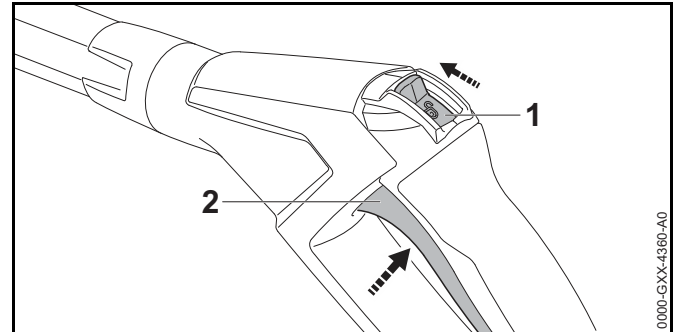
11.1 Holding and controlling the spray gun




- ▶ Hold the spray gun by the handle with one hand, wrapping your thumb around the handle.
- ▶ Hold the spray lance firmly with your other hand, wrapping your thumb around the spray lance.
- ▶ Point the nozzle at the ground.

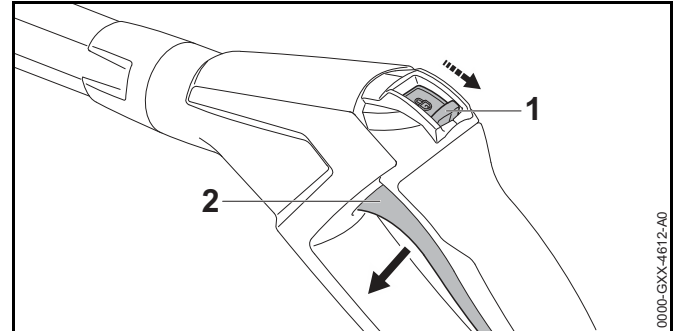
11.2 Squeezing and locking the spray gun trigger


Pressing the spray gun trigger



- ▶ Slide retaining latch (1) to the  position.
- ▶ Press and hold the trigger (2).
The high-pressure pump starts up automatically and water flows out of the nozzle.

Locking the spray gun trigger



- ▶ Release trigger (2).
The high-pressure pump switches off automatically and water stops flowing out of the nozzle. The pressure washer is still switched on.
- ▶ Slide retaining latch (1) to the  position.

11.3 Cleaning

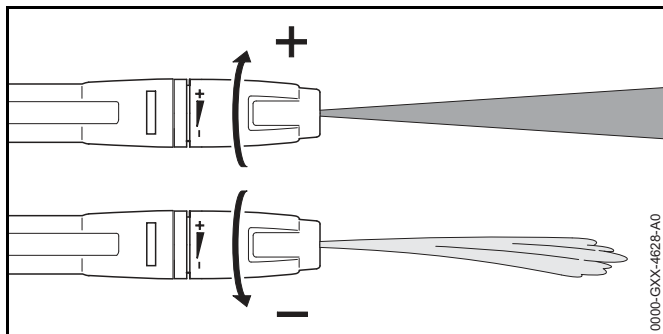
According to the application, the following nozzles can be used:

- Fan-jet nozzle: The fan-jet nozzle is designed for cleaning large areas.
- Rotary nozzle: The rotary nozzle is designed for removing stubborn dirt.

The user can work close up to the surface in order to remove stubborn dirt.

The user can work at a distance when cleaning any of the following surfaces:

- Painted surfaces
- Wooden surfaces
- Rubber surfaces



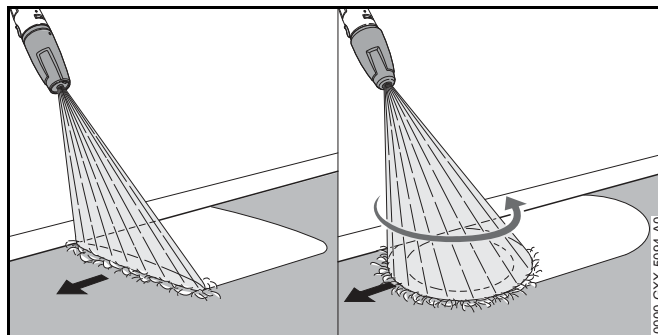
The fan-jet nozzle is adjustable.

Turning the fan-jet nozzle in the + direction increases the working pressure.

Turning the fan-jet nozzle in the – direction reduces the working pressure.

- ▶ Before starting work, direct the water jet at an inconspicuous area of the surface and check that the surface does not suffer damage.
- ▶ Select the distance between the nozzle and the surface to be cleaned so that the surface to be cleaned is not damaged.

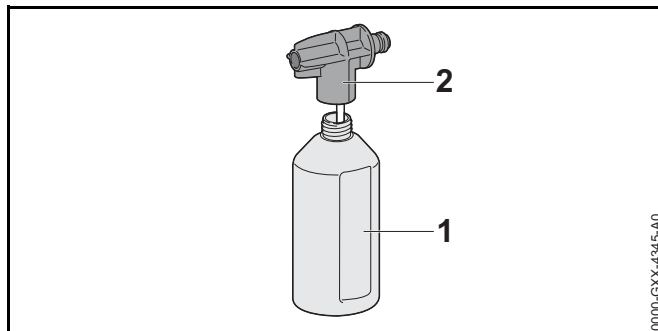
- ▶ Adjust the fan-jet nozzle so that the surface to be cleaned is not damaged.



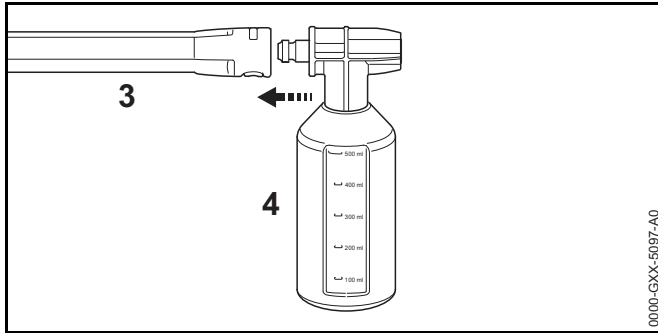
- ▶ Move the spray attachment evenly along the surface to be cleaned.
- ▶ Move forward slowly in a controlled manner.

11.4 Using detergents

Detergents can improve the cleaning effect of the water. The supplied STIHL spray set must be used.



- ▶ Dose and use detergents as described in the instruction manual for the detergent.
- ▶ Fill the bottle (1) with maximum 500 ml of the detergent.
- ▶ Screw the spray nozzle (2) onto the bottle (1) and tighten firmly by hand.



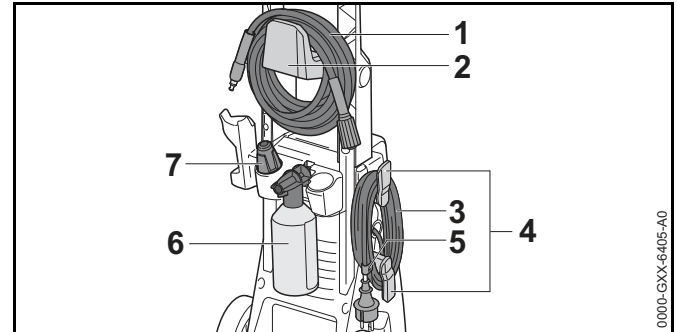
- ▶ If a nozzle is attached to the spray lance (3): Remove the nozzle
- ▶ Attach the spray set (4) to the spray lance (3).
- ▶ Soak extremely dirty surfaces with water before cleaning them.
- ▶ Press the spray gun trigger and spray the detergent onto the surface to be cleaned.
- ▶ Apply the detergent starting at the bottom and working up and do not allow to dry.
- ▶ Remove the spray set.
- ▶ Attach the nozzle.
- ▶ Clean the surface.

12 After Finishing Work

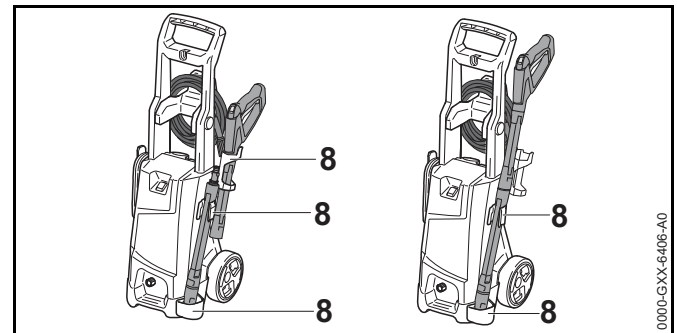
12.1 After finishing work

- ▶ Switch off the pressure washer and pull the mains plug out of the socket.
- ▶ If the pressure washer is connected to the water supply: Turn off water tap.
- ▶ Press spray gun trigger. The water pressure is reduced.
- ▶ Lock spray gun trigger.
- ▶ Disconnect pressure washer from the water supply.
- ▶ Remove water hose.

- ▶ Remove high-pressure hose and let the remaining water run out of the high-pressure hose.
- ▶ Remove and clean the nozzle and spray lance.
- ▶ Remove the spray gun and let the remaining water run out of the spray gun.
- ▶ Clean the pressure washer.



- ▶ Roll up the high-pressure hose (1) and hang it on the holder (2).
- ▶ Coil the connecting cord (3) on the holder (4).
- ▶ Secure the connecting cord (3) using the clip (5).
- ▶ Insert spraying set (6).
- ▶ Insert nozzle (7).



- ▶ Store the spray attachment in the holders (8) on the pressure washer.

12.2 Protecting the pressure washer with antifreeze

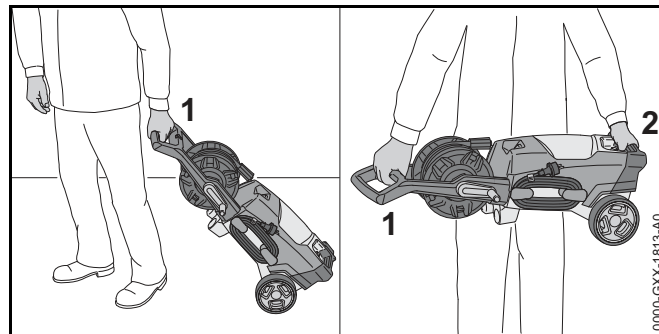
If the pressure washer cannot be protected from frost during transport or storage, the pressure washer should be protected by a glycol-based antifreeze. The antifreeze prevents water inside the pressure washer from freezing and causing damage to the pressure washer.

- ▶ Remove spray lance
- ▶ Connect the shortest possible water hose to the pressure washer.
The shorter the water hose, the less antifreeze is needed.
- ▶ Mix the antifreeze as described in the antifreeze Instruction Manual.
- ▶ Pour antifreeze into a clean container.
- ▶ Insert water hose into container of antifreeze.
- ▶ Squeeze and hold spray gun trigger.
- ▶ Switch on pressure washer.
- ▶ Hold down spray gun trigger until an even jet of antifreeze is delivered from the spray gun and point the spray gun into the container.
- ▶ Press and release spray gun trigger several times.
- ▶ Switch off pressure washer and unplug mains plug from the socket.
- ▶ Detach spray gun, high-pressure hose and water hose and allow antifreeze to run into the container.
- ▶ Store and dispose of antifreeze in accordance with the applicable regulations and in an environmentally responsible manner.

13 Transporting

13.1 Transporting the pressure washer

- ▶ Switch off the pressure washer and pull the mains plug out of the socket.
- ▶ Empty the detergent container or secure it so that it cannot topple over, fall down and cannot move.



- ▶ If pulling the pressure washer: Pull pressure washer using handle (1).
- ▶ If carrying the pressure washer: Carry the pressure washer by the handle (1) and the carrying handle (2).
- ▶ If transporting the pressure washer in a vehicle, ensure that the following conditions are fulfilled:
 - The pressure washer is standing upright or is lying on its back.
 - The pressure washer is secured using lashing straps, cargo ties or a net, and cannot topple over and move.
 - If the pressure washer cannot be transported in a frost-proof environment: Protect pressure washer using antifreeze.

14 Storing

14.1 Storing the pressure washer

- ▶ Switch off pressure washer and unplug mains plug from the socket.
- ▶ The pressure washer should be stored in such a way that the following conditions are fulfilled:
 - The pressure washer is out of the reach of children.
 - The pressure washer is clean and dry.
 - The pressure washer is in an enclosed room.
 - The pressure washer is in a temperature range above 0 °C.

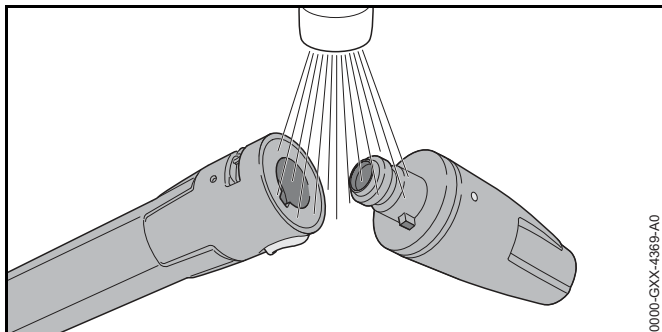
- If the pressure washer cannot be protected from frost in storage: Protect the pressure washer with antifreeze.

15 Cleaning

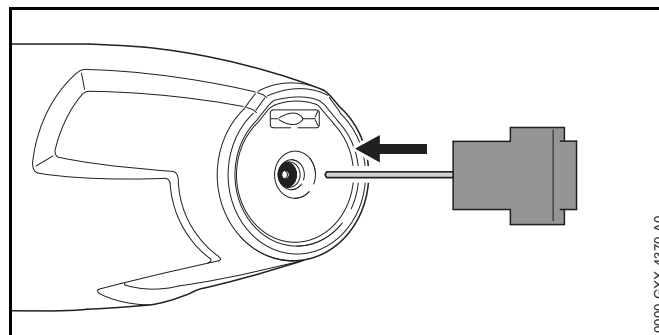
15.1 Cleaning the pressure washer and accessories

- ▶ Switch off pressure washer and unplug mains plug from the socket.
- ▶ Clean the pressure washer, high-pressure hose, spray gun and accessories with a damp cloth.
- ▶ Clean the connectors and couplings on the pressure washer, high-pressure hose and spray gun with a damp cloth.

15.2 Cleaning the nozzle and spray lance

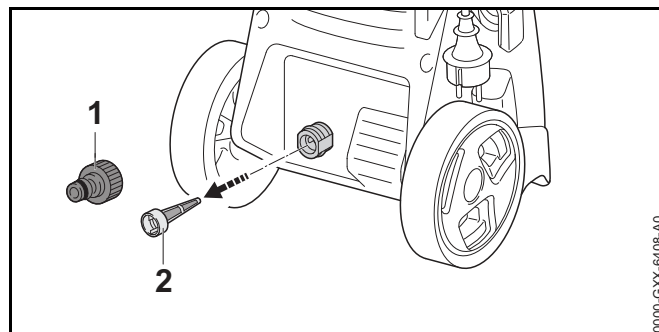


- ▶ Flush nozzle and spray lance under running water and dry with a cloth.



- ▶ If the nozzle is blocked up: Clean the nozzle with the cleaning pin.

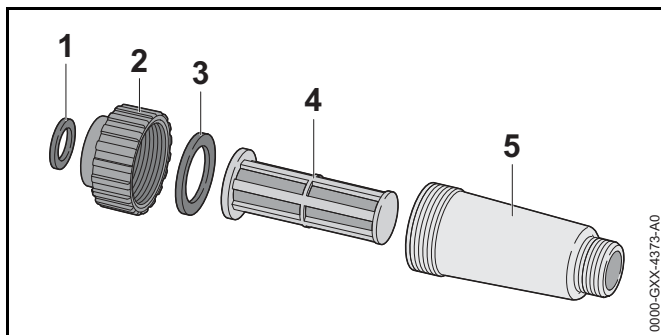
15.3 Cleaning the water intake screen



- ▶ Unscrew the connector (1) of the water connection.
- ▶ Pull water intake screen (2) out of the water connection.
- ▶ Rinse out the water intake screen (2) under running water.
- ▶ Insert water intake screen (2) into water connection.
- ▶ Attach the connector (1) and tighten it by hand.

15.4 Cleaning the water filter

The water filter must be disassembled to clean it.



- ▶ Remove gasket (1) from the fastener (2).
- ▶ Unscrew fastener (2) from filter housing (5).
- ▶ Remove gasket (3) from the fastener (2).
- ▶ Remove filter (4) from the filter housing (5).
- ▶ Rinse gaskets (1 and 3), fastener (2) and filter (4) under running water.
- ▶ Grease the gaskets (1 and 3) with grease for fittings.
- ▶ Reassemble the water filter.

- ▶ If the pressure washer or accessory is damaged: Do not use the pressure washer or accessory. Consult a STIHL servicing dealer.

16 Maintenance

16.1 Maintenance intervals

Maintenance intervals depend on the ambient conditions and the operating conditions. STIHL recommends the following maintenance intervals:

Monthly

- ▶ Clean water intake screen.






17 Repairing



17.1 Repairing the pressure washer

The user cannot personally repair the pressure washer and accessory.

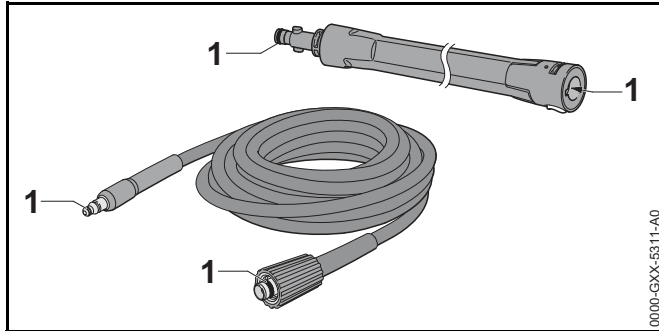
18 Troubleshooting

18.1 Correcting faults in the pressure washer

Fault	Cause	Remedy
The pressure washer does not start although the spray gun trigger is squeezed.	The mains plug of the connecting cord or extension cord is not plugged in.	<ul style="list-style-type: none"> ▶ Plug in mains plug of connecting cord or extension cord.
	The circuit breaker (fuse) or the overload cutout has tripped. There is an electrical overload or a fault in the circuit.	<ul style="list-style-type: none"> ▶ Look for cause of tripping and remedy it. Insert circuit breaker (fuse) or overload cutout. ▶ Switch off other loads connected to the same circuit.
	The fuse rating of the socket is too low.	<ul style="list-style-type: none"> ▶ Plug the connecting cord into a socket with the correct fuse rating,  19.1.
	The extension cord does not have the correct cross-section.	<ul style="list-style-type: none"> ▶ Use an extension cord with an adequate cross-section,  19.2
	The extension cord is too long.	<ul style="list-style-type: none"> ▶ Use an extension cord of the correct length,  19.2
	The electric motor is too warm.	<ul style="list-style-type: none"> ▶ Allow the pressure washer to cool for 5 minutes. ▶ Clean the nozzle.
The pressure washer does not start when switched on. The electric motor hums.	The mains voltage is too low.	<ul style="list-style-type: none"> ▶ Squeeze and hold the spray gun trigger and switch on the pressure washer. ▶ Switch off other loads connected to the same circuit.
	The extension cord does not have the correct cross-section.	<ul style="list-style-type: none"> ▶ Use an extension cord with an adequate cross-section,  19.2
	The extension cord is too long.	<ul style="list-style-type: none"> ▶ Use an extension cord of the correct length,  19.2
The pressure washer switches off while in operation.	The plug of the connecting cord or extension cord has been pulled out of the socket.	<ul style="list-style-type: none"> ▶ Plug in mains plug of connecting cord or extension cord.
	The circuit breaker (fuse) or the overload cutout has tripped. There is an electrical overload or a fault in the circuit.	<ul style="list-style-type: none"> ▶ Look for cause of tripping and remedy it. Insert circuit breaker (fuse) or overload cutout. ▶ Switch off other loads connected to the same circuit.

Fault	Cause	Remedy
	The fuse rating of the socket is too low.	▶ Plug the connecting cord into a socket with the correct fuse rating,  19.1.
	The electric motor is too warm.	▶ Allow the pressure washer to cool for 5 minutes. ▶ Clean the nozzle.
The high-pressure pump repeatedly switches on and off without squeezing the spray gun trigger.	There is a leak in the high-pressure pump, high-pressure hose or spray attachment.	▶ Ask a STIHL servicing dealer to inspect the pressure washer.
The working pressure fluctuates or drops.	There is not enough water.	▶ Open water tap fully. ▶ Make sure that a sufficient quantity of water is available.
	The nozzle is blocked.	▶ Clean the nozzle.
	The water intake screen or water filter is blocked.	▶ Clean water intake screen and water filter.
	The high-pressure pump, high-pressure hose or spray attachment is leaking or faulty.	▶ Ask a STIHL servicing dealer to inspect the pressure washer.
The shape of the water jet has changed.	The nozzle is blocked.	▶ Clean the nozzle.
	The nozzle is worn.	▶ Fit a new nozzle.
Detergent additive is not being drawn in.	The container is empty.	▶ Fill container with detergent.
	The nozzle of the spraying set is blocked.	▶ Clean nozzle of spraying set.
Connections with pressure washer, high-pressure hose, spray gun or spray lance are stiff.	The gaskets of the connections have not been greased.	▶ Grease the gaskets.  18.2

18.2 Lubricating the seals



- ▶ Grease the seals (1) with grease for fittings.

19 Specifications

19.1 Pressure washer STIHL RE 90

Version 100V / 50-60 Hz

- Fuse (characteristic "C" or "K"): 15 A
- Power consumption: 1.45 kW
- Electrical protection class: II
- Degree of electrical protection: IPX5 (protection from water jets in any direction)
- Working pressure (p): 6.7 MPa (67 bar)
- Max. permissible pressure (p max.): 10 MPa (100 bar)
- Max. water supply pressure (p in max.): 1 MPa (10 bar)
- Maximum water throughput (Q max.): 7.4 l/min (444 l/h)
- Max. suction lift: 0.5 m
- Max. water temperature in pressure mode (t in max): 40 °C
- Max. water temperature in suction mode: 20 °C
- Dimensions
 - Length: 290 mm

- Width: 330 mm
- Height: 860 mm
- Length of high-pressure hose: 6 m
- Weight (m) with accessory attached: 9.0 kg

Version 127 V / 60 Hz

- Fuse (characteristic "C" or "K"): 15 A
- Power consumption: 1.5 kW
- Electrical protection class: II
- Degree of electrical protection: IPX5 (protection from water jets in any direction)
- Working pressure (p): 7.2 MPa (72 bar)
- Max. permissible pressure (p max.): 10 MPa (100 bar)
- Max. water supply pressure (p in max.): 1 MPa (10 bar)
- Maximum water throughput (Q max.): 7.4 l/min (444 l/h)
- Max. suction lift: 0.5 m
- Max. water temperature in pressure mode (t in max): 40 °C
- Max. water temperature in suction mode: 20 °C

- Dimensions

- Length: 290 mm
- Width: 330 mm
- Height: 860 mm
- Length of high-pressure hose: 6 m
- Weight (m) with accessory attached: 8.8 kg

Version 220 V / 50 Hz

- Fuse (characteristic "C" or "K"): 10 A
- Power consumption: 1.8 kW
- Electrical protection class: II
- Degree of electrical protection: IPX5 (protection from water jets in any direction)
- Working pressure (p): 10 MPa (100 bar)

- Max. permissible pressure (p max.): 12 MPa (120 bar)
- Max. water supply pressure (p in max.): 1 MPa (10 bar)
- Maximum water throughput (Q max.): 8.6 l/min (516 l/h)
- Max. suction lift: 0.5 m
- Max. water temperature in pressure mode (t in max): 40 °C
- Max. water temperature in suction mode: 20 °C
- Dimensions
 - Length: 290 mm
 - Width: 330 mm
 - Height: 860 mm
- Length of high-pressure hose: 6 m
- Weight (m) with accessory attached: 9.7 kg

Version 220 V to 240 V / 50 Hz

- Fuse (characteristic "C" or "K"): 10 A
- Power consumption: 1.8 kW
- Electrical protection class: II
- Degree of electrical protection: IPX5 (protection from water jets in any direction)
- Working pressure (p): 10 MPa (100 bar)
- Max. permissible pressure (p max.): 12 MPa (120 bar)
- Max. water supply pressure (p in max.): 1 MPa (10 bar)
- Maximum water throughput (Q max.): 8.3 l/min (500 l/h) to 8.6 l/min (516 l/h)
- Max. suction lift: 0.5 m
- Max. water temperature in pressure mode (t in max): 40 °C
- Max. water temperature in suction mode: 20 °C
- Dimensions
 - Length: 290 mm
 - Width: 330 mm
 - Height: 860 mm

- Length of high-pressure hose: 6 m
- Weight (m) with accessory attached: 9.7 kg to 9.8 kg

Version 240 V / 50 Hz

- Fuse (characteristic "C" or "K"): 10 A
- Power consumption: 1.8 kW
- Electrical protection class: II
- Degree of electrical protection: IPX5 (protection from water jets in any direction)
- Working pressure (p): 10 MPa (100 bar)
- Max. permissible pressure (p max.): 12 MPa (120 bar)
- Max. water supply pressure (p in max.): 1 MPa (10 bar)
- Maximum water throughput (Q max.): 8.3 l/min (500 l/h)
- Max. suction lift: 0.5 m
- Max. water temperature in pressure mode (t in max): 40 °C
- Max. water temperature in suction mode: 20 °C
- Dimensions
 - Length: 290 mm
 - Width: 330 mm
 - Height: 860 mm
- Length of high-pressure hose: 6 m
- Weight (m) with accessory attached: 9.8 kg

19.2 Extension Cords

If an extension cord is used, the cross sectional area of its conductors must meet the following minimum requirements – depending on the line voltage and length of the extension cord:

220 V to 240 V

- Cord length up to 20 m: AWG 15 / 1.5 mm²
- Cord length 20 m up to 50 m: AWG 13 / 2.5 mm²

100 V to 127 V

- Cord length up to 10 m: AWG 14 / 2.0 mm²
- Cord length 10 m up to 30 m: AWG 12 / 3.5 mm²

19.3 Sound and Vibration Levels

The K value for the sound pressure level is 3 dB(A). The K value for the sound power level is 3 dB(A). The K value for the vibration levels is 1.5 m/s².

- Sound pressure level L_{pA} measured according to EN 60335-2-79:
 - 220 V to 240 V / 50 Hz Version: 80 dB(A)
 - 220 V / 50 Hz Version: 80 dB(A)
 - 127 V / 60 Hz Version: 80 dB(A)
 - 100 V / 50-60 Hz Version: 80 dB(A)
 - 240 V / 50 Hz Version: 80 dB(A)
- Sound power level L_{WA} measured according to EN 60335-2-79:
 - 220 V to 240 V / 50 Hz Version: 88 dB(A)
 - 220 V / 50 Hz Version: 88 dB(A)
 - 127 V / 60 Hz Version: 88 dB(A)
 - 100 V / 50-60 Hz Version: 88 dB(A)
 - 240 V / 50 Hz Version: 88 dB(A)
- Vibration level a_h measured according to EN 60335-2-79, spray gun: ≤ 2.5 m/s².

Information regarding compliance with the Employers' Directive on Vibration 2002/44/EC can be found at www.stihl.com/vib.

19.4 REACH

REACH is an EC regulation and stands for the Registration, Evaluation, Authorisation and Restriction of Chemical substances.

For information on compliance with the REACH regulation see www.stihl.com/reach.

20 Spare Parts and Accessories**20.1 Spare Parts and Accessories**

STIHL® These symbols identify original STIHL replacement parts and original STIHL accessories.

STIHL recommends the use of original STIHL replacement parts and accessories.

Original STIHL replacement parts and original STIHL accessories are available from STIHL servicing dealers.

21 Disposal**21.1 Disposing of the pressure washer**

Information concerning disposal is available from any STIHL servicing dealer.

- ▶ Dispose of the pressure washer, high-pressure hose, nozzles, accessories and packaging in accordance with the applicable regulations and in an environmentally responsible manner.

22 EC Declaration of Conformity**22.1 Pressure washer STIHL RE 90**

ANDREAS STIHL AG & Co. KG
Badstraße 115
D-71336 Waiblingen
Germany

declare under our sole responsibility that

- Type: Pressure washer
- Make: STIHL
- Model: RE 90

– Serial identification number: 4951

conforms to the specifications of Directives 2011/65/EU, 2006/42/EC and 2014/30/EU and has been developed and built in compliance with the versions of the following standards valid at the production date: EN 55014-1, EN 55014-2, EN 60335-1, EN 60335-2-79, EN 61000-3-2, EN 61000-3-11.

The measured and guaranteed sound power level has been determined in accordance with Directive 2000/14/EC, Annex V, and standard ISO 3744.

- measured sound power level: 88 dB(A)
- guaranteed sound power level: 91 dB(A)

The Technical Documentation has been retained by the Produktzulassung Department of ANDREAS STIHL AG & Co. KG.

The year of construction, the country of manufacture and the machine number are shown on the pressure washer.

Waiblingen, April 25 2018

ANDREAS STIHL AG & Co. KG

pp

A handwritten signature in black ink, appearing to read 'Thomas Elsner', written in a cursive style.

Thomas Elsner, Head of Product Management and Services

0458-814-8321-A

AUS



www.stihl.com



0458-814-8321-A